

MINIDISC RECORDER

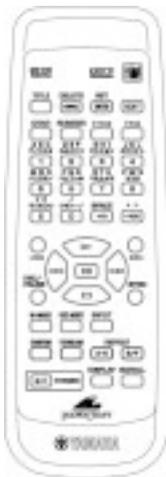
MDX-E300

SERVICE MANUAL

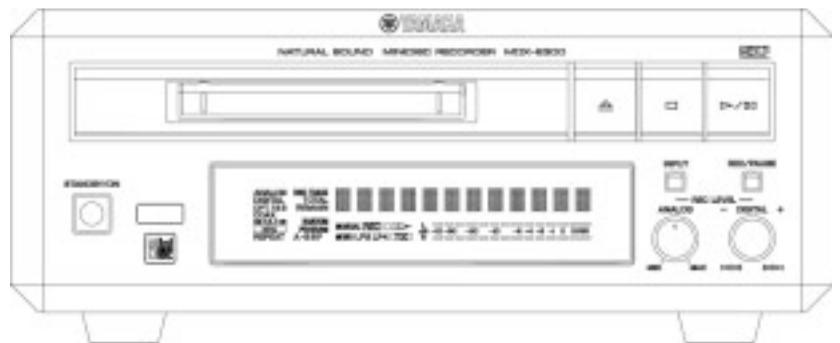
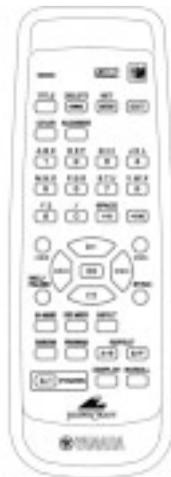
For the system operation of MDX-E300, please refer to Service Manual #100805 for the CRX-E300/NX-E300.

本機の「システム動作」については、CRX-E300/NX-E300のサービスマニュアル 100805 をご覧ください。

▼ J model



▼ R, G, B model



MDX-E300

IMPORTANT NOTICE

This manual has been provided for the use of authorized YAMAHA Retailers and their service personnel. It has been assumed that basic service procedures inherent to the industry, and more specifically YAMAHA Products, are already known and understood by the users, and have therefore not been restated.

WARNING: Failure to follow appropriate service and safety procedures when servicing this product may result in personal injury, destruction of expensive components and failure of the product to perform as specified. For these reasons, we advise all YAMAHA product owners that all service required should be performed by an authorized YAMAHA Retailer or the appointed service representative.

IMPORTANT: The presentation or sale of this manual to any individual or firm does not constitute authorization, certification or recognition of any applicable technical capabilities, or establish a principle-agent relationship of any form.

The data provided is believed to be accurate and applicable to the unit(s) indicated on the cover. The research, engineering, and service departments of YAMAHA are continually striving to improve YAMAHA products. Modifications are, therefore, inevitable and specifications are subject to change without notice or obligation to retrofit. Should any discrepancy appear to exist, please contact the distributor's Service Division.

WARNING: Static discharges can destroy expensive components. Discharge any static electricity your body may have accumulated by grounding yourself to the ground buss in the unit (heavy gauge black wires connect to this buss).

IMPORTANT: Turn the unit OFF during disassembly and parts replacement. Recheck all work before you apply power to the unit.



このサービスマニュアルは、エコマーク認定の再生紙を使用しています。
This Service Manual uses recycled paper.

100806



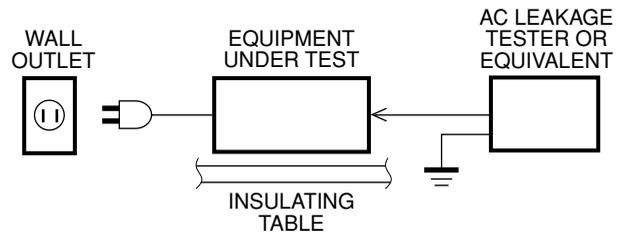
YAMAHA
YAMAHA CORPORATION
P.O.Box 1, Hamamatsu, Japan

■ CONTENTS

TO SERVICE PERSONNEL	2-3	TROUBLESHOOTING / トラブルシューティング	36-45
PREVENTION OF ELECTRO STATIC DISCHARGE	4	IC DATA	46-55
REAR PANELS	4	BLOCK DIAGRAM	56-57
SPECIFICATIONS	5	TEST POINT WAVEFORMS	58
DIMENSIONS	6	PRINTED CIRCUIT BOARD	59-62
INTERNAL VIEW	6	MD VOLTAGES	62
DISASSEMBLY PROCEDURES / 分解手順	7-8	SCHEMATIC DIAGRAM	63-64
DISASSEMBLY OF MD RECORDER UNIT /		DISPLAY DATA	65
MDレコーダーユニットの分解	9-11	PARTS LIST	66-77
ADJUSTMENT & TEST MODE /		GREASE APPLICATION DIAGRAM	78
調整及びテストモード	12-29	REMOTE CONTROL TRANSMITTER	79
SPECIAL TEST MODE / 特殊テストモード	30-31	PARTS LIST FOR CARBON RESISTORS	80
ERROR DISPLAY / エラー表示	32-35		

■ TO SERVICE PERSONNEL

1. Critical Components Information
Components having special characteristics are marked \triangle and must be replaced with parts having specifications equal to those originally installed.
2. Leakage Current Measurement (For 120V Models Only)
When service has been completed, it is imperative to verify that all exposed conductive surfaces are properly insulated from supply circuits.
 - Meter impedance should be equivalent to 1500 ohm shunted by 0.15 μ F.
 - Leakage current must not exceed 0.5mA.
 - Be sure to test for leakage with the AC plug in both polarities.



THE MINI DISC RECORDER SHOULD NOT BE ADJUSTED OR REPAIRED BY ANYONE EXCEPT PROPERLY QUALIFIED SERVICE PERSONNEL.

WARNING: CHEMICAL CONTENT NOTICE!

The solder used in the production of this product contains LEAD. In addition, other electrical/electronic and/or plastic (where applicable) components may also contain traces of chemicals found by the California Health and Welfare Agency (and possibly other entities) to cause cancer and/or birth defects or other reproductive harm.

DO NOT PLACE SOLDER, ELECTRICAL/ELECTRONIC OR PLASTIC COMPONENTS IN YOUR MOUTH FOR ANY REASON WHATSOEVER!

Avoid prolonged, unprotected contact between solder and your skin! When soldering, do not inhale solder fumes or expose eyes to solder/flux vapor!

If you come in contact with solder or components located inside the enclosure of this product, wash your hands before handling food.

WARNING: Laser Safety

This product contains a laser beam component. This component may emit invisible, as well as visible radiation, which may cause eye damage. To protect your eyes and skin from laser radiation, the following precautions must be used during servicing of the unit.

- 1) When testing and/or repairing any component within the product, keep your eyes and skin more than 30 cm away from the laser pick-up unit at all times. Do not stare at the laser beam at any time.
- 2) Do not attempt to readjust, disassemble or repair the laser pick-up, unless noted elsewhere in this manual.
- 3) CAUTION : Use of controls, adjustments or performance of procedures other than those specified herein may result in hazardous radiation exposure.

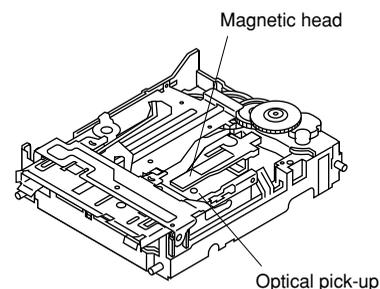
Laser Emitting conditions:

- 1) When the Top Cover of the MD recorder unit is removed, and the "STANDBY/ON" SW is turned to the "ON" position, the laser component will emit a beam for several seconds to detect if a disc is present. During this time (5-10 sec.) the laser may radiate through the lens of the laser pick-up unit. Do not attempt any servicing during this period!
If no disc is detected, the laser will stop emitting the beam. When a disc is set, you will not be exposed to any laser emissions.
- 2) The laser power level can be adjusted with the VR on the pick-up PWB. However, this level has been set by the factory prior to shipping from the factory. Do not adjust this laser level control unless instruction is provided elsewhere in this manual. Adjustment of this control can increase the laser emission level from the device.

Laser Diode Properties

Material :	GaAlAs
Wavelength :	785 nm
Emission duration :	Continuous
Pulse Durations and Max. Output at the lens of the Laser Pick Up Unit ;	
Read mode :	0.6 mW (Continuous)
Write mode :	Max 10 mW for 0.5s, Min. Cycle 1.5s
ANSI Class :	Class 1

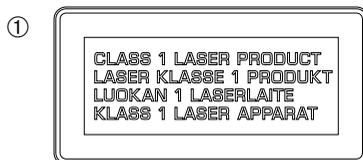
* This output is the value measured at a distance of about 200 mm from the objective lens surface on the Optical Pick-up Block.



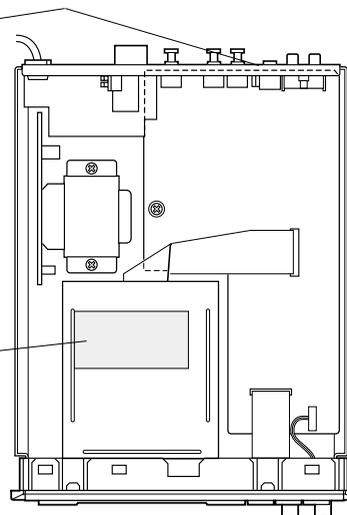
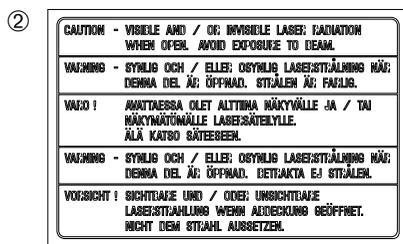
VARO! : AVATTAESSA JA SUOJALUKITUS OHITETTAESSA OLET ALTTIINA NÄKYMÄTTÖMÄLLE LASER-SÄTEILYLLE. ÄLÄ KATSO SÄTEESEEN.

WARNING! : OSYNLIG LASERSTRÅLNING NÄR DENNA DEL ÄR ÖPPNAD OCH SPÄRREN ÄR URKOPPLAD. BETRAKTA EJ STRÅLEN.

R, G, B models



R, G, B models

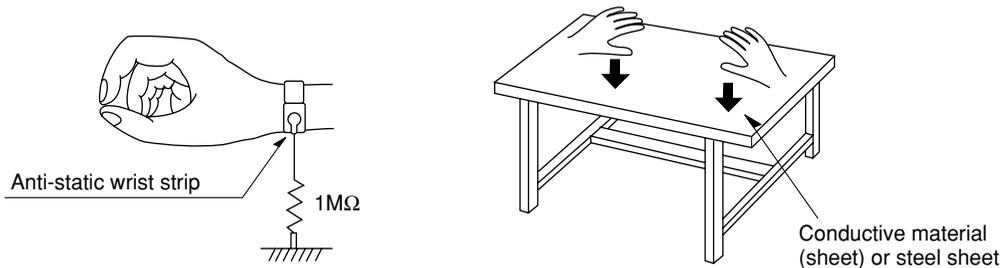


■ PREVENTION OF ELECTRO STATIC DISCHARGE

The laser diode in the MD recorder unit (optical pickup) may be damaged due to static electricity from clothes or the human body. Use caution to prevent electrostatic damage when servicing or handling the laser diode.

1. Grounding for electrostatic damage prevention

1. Worktable grounding
Put a grounded conductive material (sheet) or iron sheet on the area where the optical pickup is placed.
2. Human body grounding
Use an anti-static wrist strap to discharge the static electricity from your body.



2. Handling of the optical pickup

Do not use a tester to check the laser diode in the optical pickup. The power supply in the tester will damage the laser diode.

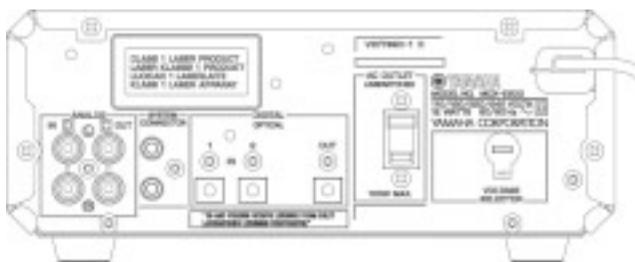
3. Handling Precautions for the MD recorder Unit (Optical Pickup)

1. Handle the MD recorder unit (optical pickup) gently, as it is an extremely high-precision assembly.
2. The flexible cable lines may break if an excessive force is applied to it. Use caution when handling the cable.
3. The semi-fixed resistor for laser power adjustment should not be adjusted. Do not turn the resistor.

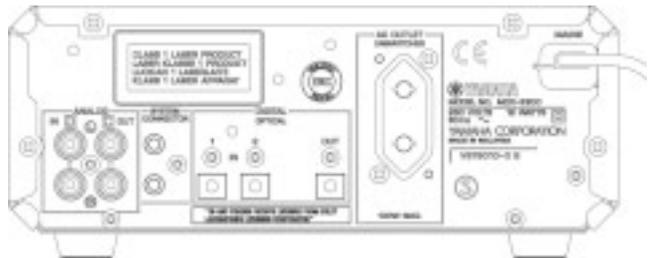
MDX-E300

■ REAR PANELS

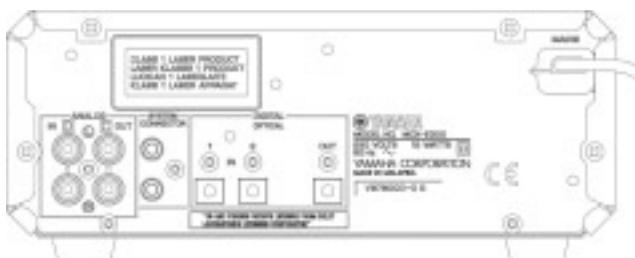
▼ R model



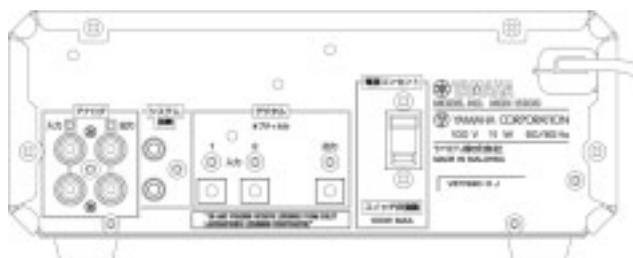
▼ G model



▼ B model



▼ J model



■ SPECIFICATIONS

Digital audio system

System / 形式

MiniDisc digital audio system

Disc / ディスク

MiniDisc

Recording method / 記録方式

Magnetic field variation overwrite

Reading method / 再生読み取り方式

Non-contact optical pickup (using semiconductor laser)

Laser / レーザー

Semiconductor laser

Record/playback time / 録音再生時間

Max. 80 min. (on stereo)

Max. 161 min. (on ATRAC3-LP2)

Max. 323 min. (on ATRAC3-LP4)

Revolutions / 回転数

Approx. 400-900 rpm (CLV)

Error Correction / エラー訂正方式

ACIRC (Advanced Cross Interleave Reed-solomon Code)

Sampling frequency / サンプリング周波数

44.1 kHz (32 kHz and 48 kHz signals converted to 44.1 kHz for recording)

Coding / コーディング

ATRAC (Adaptive TTransform Acoustic Coding)

Modulation system / 変調方式

EFM (Eight-to-Fourteen Modulation)

Number of channels / チャンネル数

2 (stereo) or 1 (mono, for extended recording)

Frequency Response / 周波数特性

5 - 20,000 Hz \pm 0.5 dB

Signal-to-Noise Ratio / SN比

More than 99 dB during playback

Wow and Flutter / ワウフラッター

Below measurable limit

Inputs

LINE IN (REC) / ライン入力

Type: pin jack

Input impedance: greater than 50 k-ohms

Standard input level: 300 mV

DIGITAL IN (OPTICAL) 1/2 / デジタル入力 (光) 1/2

Type: square optical connector jack

Outputs

LINE OUT (PLAY) / ライン出力

Type: pin jack

Standard output level: 2.0 \pm 0.5 Vrms

DIGITAL OUT (OPTICAL) / デジタル出力 (光)

Type: square optical connector jack

GENERAL

Power Supplies / 電源

G, B models 230 V, 50 Hz

R model 110/120/220/240 V, 50/60 Hz

J model 100 V, 50/60 Hz

Power Consumption / 消費電力

R, G, B models 12W

J model 11W

Dimensions (W x H x D) / 外形寸法 (幅x高さx奥行)

217 x 88 x 297 mm (8-9/16" x 3-7/16" x 11-11/16")

Weight / 重量

2.6 kg (5 lbs. 11 oz.)

Finish / 仕上げ

Silver color B, G, J models

Gold color R, G models

Accessories / 付属品

Remote Control.... 1

Audio Pin Cable... 2

Optical Cable... 1

Batteries (AA, R6, UM-3).... 2

Specifications subject to change without notice.

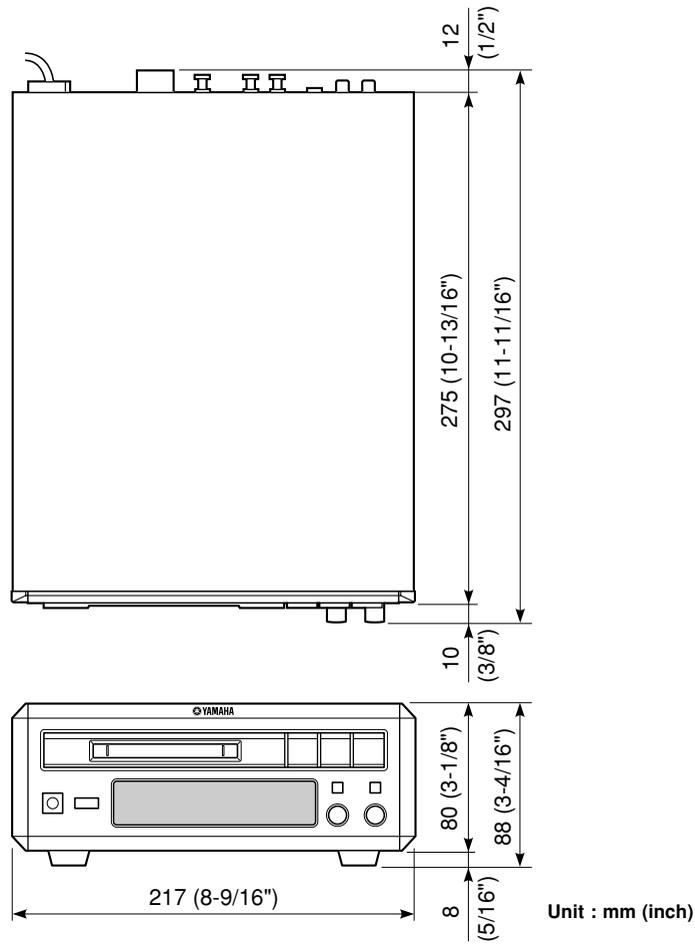
B : British model

G : European model

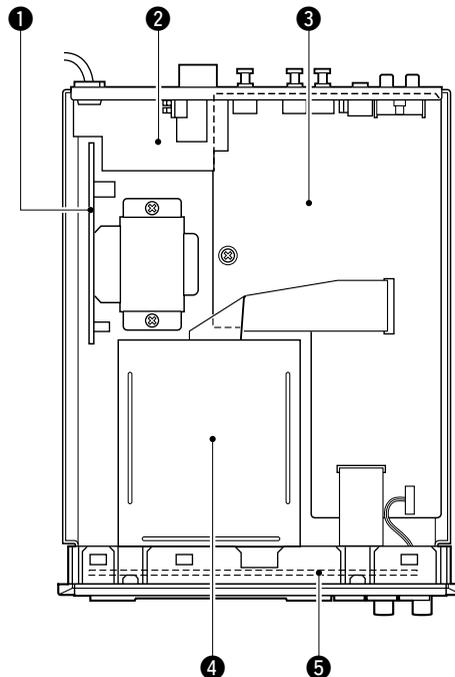
R : General model

J : Japanese model

■ DIMENSIONS



■ INTERNAL VIEW



- ① MAIN (3) P.C.B.
- ② MAIN (4) P.C.B.
- ③ MAIN (1) P.C.B.
- ④ MD RECORDER UNIT
- ⑤ MAIN (2) P.C.B.

■ DISASSEMBLY PROCEDURES / 分解手順

Remove parts in disassembly order as numbered.

(番号順に取り外しを行ってください。)

1. Removal of Top Cover

Remove 4 screws (①) and 4 screw (②) in Fig. 1.

1. トップカバーの外し方

①のネジ4本と②のネジ4本を外します。(Fig. 1)

2. Removal of Front Panel

a. Remove 2 connectors (CB6, CB602) in Fig. 2.

2. フロントパネルの外し方

a. コネクターを2ヶ所 (CB6, CB602)を外します。(Fig. 2)

b. Remove 2 screws (③) and 2 screws (④) in Fig. 1.

b. ③のネジ2本と④のネジ2本を外します。(Fig. 1)

c. Detach the 2 hooks in Fig. 1 and then pull the Front Panel forward.

c. パネル両サイドのフックを外して、フロントパネルを引き出します。

3. Removal of MD Recorder Unit

a. Remove 1 connector (CB1) in Fig. 2.

3. MDレコーダーユニットの外し方

a. コネクターを1ヶ所 (CB1)を外します。(Fig. 2)

b. Remove 4 screws (⑤) in Fig. 1.

b. ⑤のネジ4本を外します。(Fig. 1)

c. Remove the MD Recorder Unit.

c. MDレコーダーユニットを取り外します。

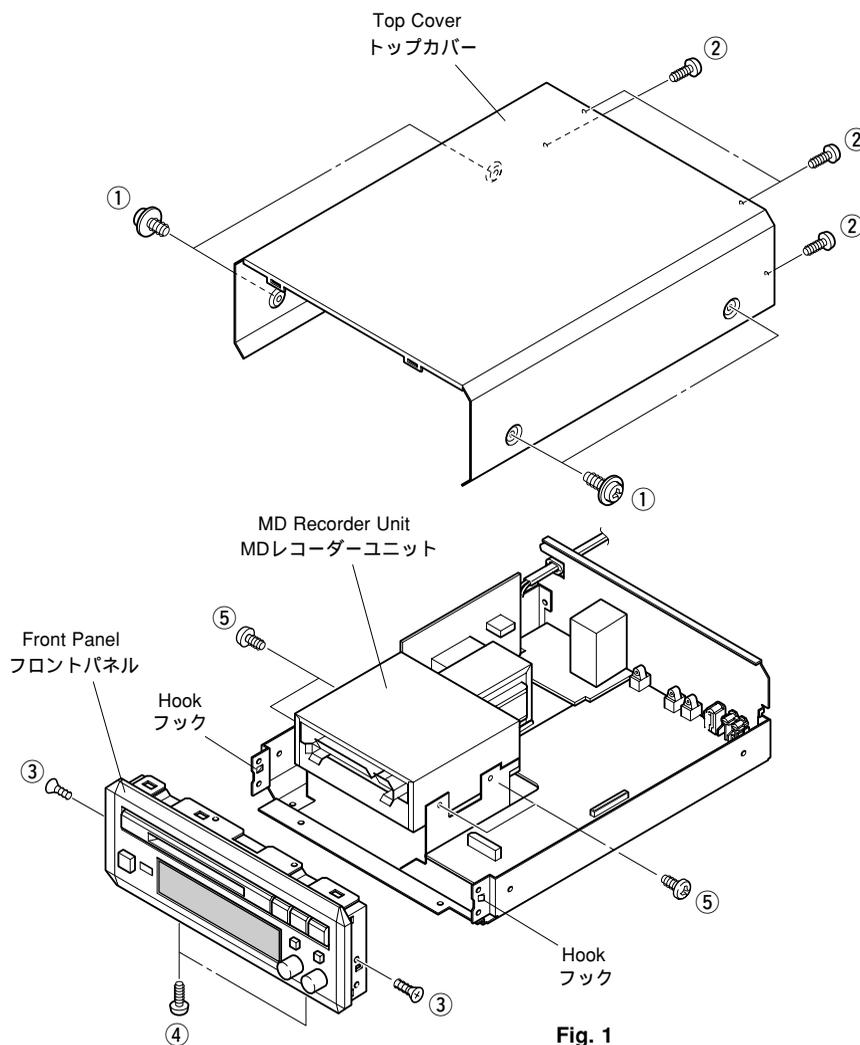


Fig. 1

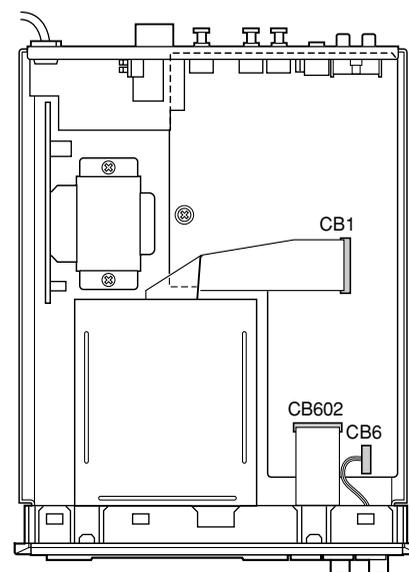


Fig. 2

● Service Position

- a. Remove 2 screws (⑥) in Fig. 3.
- b. Remove 2 screws (⑦) in Fig. 4.
- c. Remove the Main (1) P.C.B. from the chassis.
- d. Place the Main (1) P.C.B. and Main (4) P.C.B. as shown in Fig. 5 for servicing.

When checking the P.C.B.:

Be sure to connect the ST1 of the Main (4) P.C.B. to the chassis with a jumper wire or the like.

● サービスポジション

- a. ⑥のネジ2本を外します。(Fig. 3)
- b. ⑦のネジ2本を外します。(Fig. 4)
- c. Main (1) P.C.B. を外します。
- d. Main (1) P.C.B. および Main (4) P.C.B. を Fig. 5 のように置いて、動作チェックを行います。

P.C.B. チェックをする場合には

Main (4) P.C.B. の ST1 をリード線等でシャーシに接続してください。

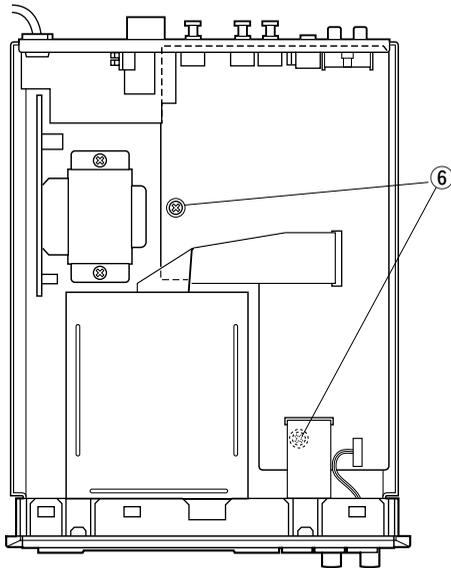


Fig. 3

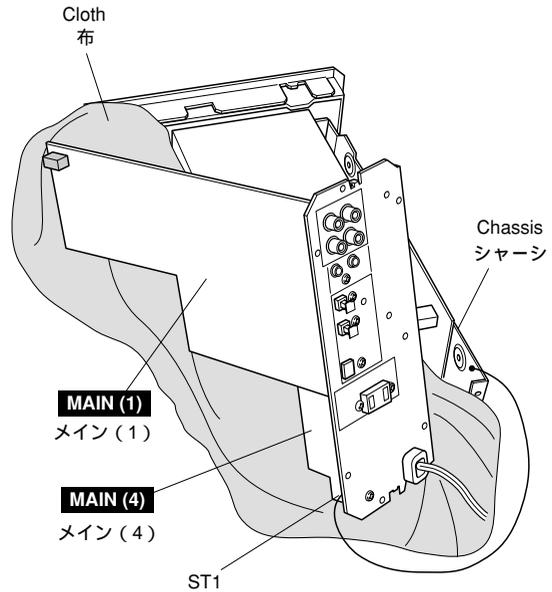


Fig. 5

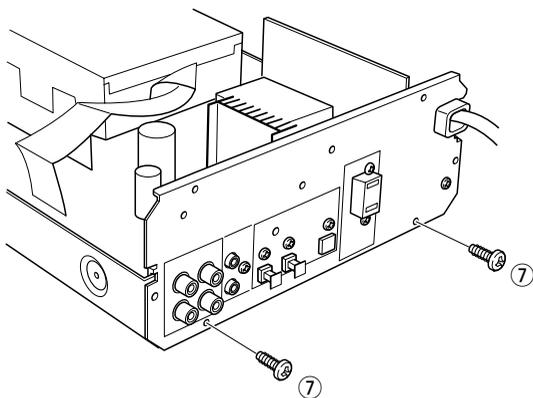


Fig. 4

■ DISASSEMBLY OF MD RECORDER UNIT / MDレコーダーユニットの分解

Remove the MD Recorder unit according to Steps 1 and 3 of the disassembly procedure.

分解手順1と3に従ってMDレコーダユニットを取り外してください。

Removal of MD Main P.C.B. and MD Mechanism (Fig. 6)

1. Remove 3 screws (K1) and then remove the Top Cover.
2. Remove 2 screws (K2) and then remove the Bottom Cover.
3. Disconnect 3 flat connecting cables (K3).
4. Disconnect the flexible P.C.B. for the optical pickup (K4).
5. Disconnect a connector (K5).
6. Remove 2 screws (K6) and then remove the MD Main P.C.B.
7. Remove the spring (K7).
8. Remove 1 screw (K8) and then remove the Side Cover.
9. Remove 4 cushions (K9) from the bosses of the MD Mechanism.

MDメイン基板・MDメカニズムの外し方 (Fig. 6参照)

1. ねじ (K1) × 3本を外し、シールドケース (トップ) を外します。
2. ねじ (K2) × 2本を外し、シールドケース (ボトム) を外します。
3. フラットケーブル (K3) × 3個を外します。
4. 光ピックアップ用フレキシ基板 (K4) × 1個を外します。
5. コネクタ (K5) × 1個を外します。
6. ねじ (K6) × 2本を外し、MDメイン基板を外します。
7. スプリング (K7) × 1個を外します。
8. ねじ (K8) × 1本を外し、シールドケース (サイド) を外します。
9. クッション (K9) × 4個をMDメカニズムのボスから外します。

(*1) After pulling off the flexible P.C.B. for the optical pickup from the connector, cover its end with aluminum foil or the like which is electrically conductive so as to prevent the optical pickup from being damaged by static electricity.

(*1) 光ピックアップ用フレキシ基板をコネクタから引き抜いた後は、静電気による光ピックアップの破壊を防止するために、フレキシ基板の先端を導電性のあるアルミ箔等で包んでください。

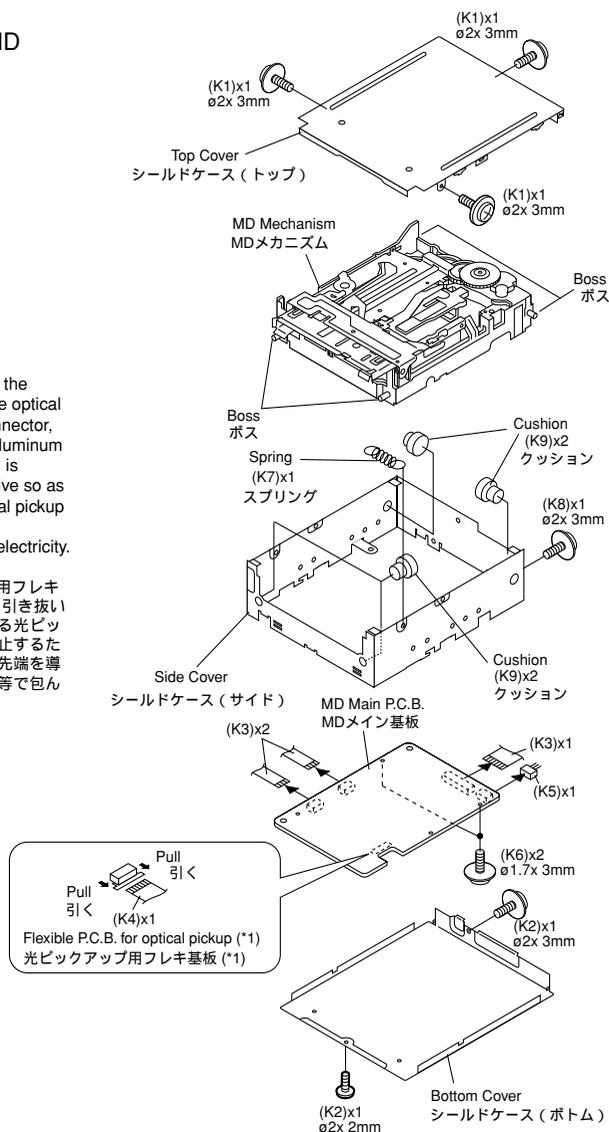


Fig. 6

Removal of Magnetic Head (Fig. 7)

- Once the magnetic head is removed, it will be necessary to perform "Confirmation of magnetic head installation Position". (See page 26.)

Remove screw (A1).

Caution

- a. When removing the magnetic head, hold its base and do not touch the magnetic head itself or the leaf spring.
- b. Place the magnetic head upside down.
- c. Use special care so as not to cause any damage to the magnetic head when installing it.

磁気ヘッドの外し方 (Fig. 7参照)

- 磁気ヘッドを外した場合、『磁気ヘッドの取付位置』の確認が必要です。(27ページ参照)

ねじ (A1) × 1本を外します。

注意

- a. 磁気ヘッドを外すときは、磁気ヘッドのベース部分を持って外してください。磁気ヘッド部とリーフバネ部にはさわらないでください。
- b. 磁気ヘッドを置く場合は、裏向きに置いてください。
- c. 取り付け時には磁気ヘッドを傷つけないよう十分注意してください。

Removal of MD Loading P.C.B./Loading Motor (Fig. 8)

- Remove 1 screw (B1).
- Remove 3 hooks (B2) and then remove the MD Loading P.C.B.
- Remove 2 screws (B3) and then remove the Loading Motor.

MDローディング基板 / ローディングモータの外し方 (Fig. 8参照)

- ねじ (B1) × 1本を外します。
- 爪 (B2) × 3箇所を外し、MDローディング基板を外します。
- ねじ (B3) × 2本を外し、ローディングモータを外します。

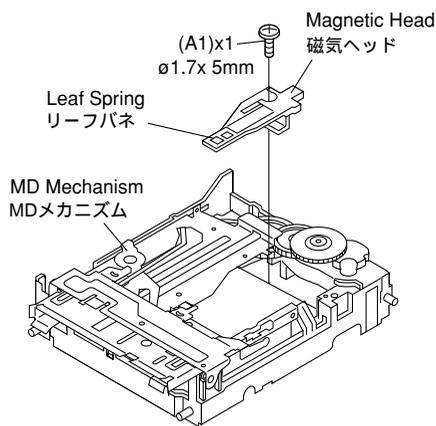


Fig. 7

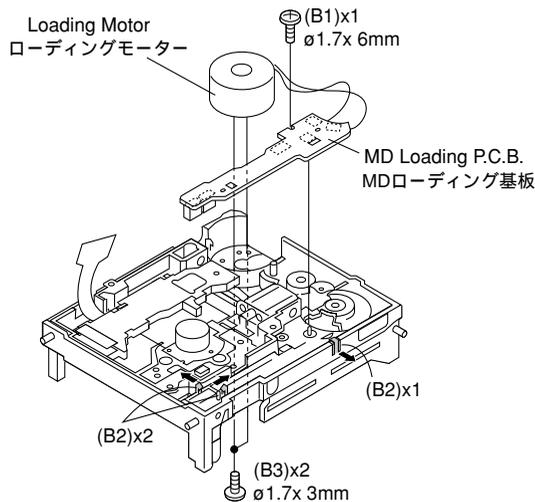


Fig. 8

Removal of Sled Motor/Optical Pickup Head (Fig. 9)

- Once the MD mechanism switch P.C.B. is removed, it will be necessary to perform "Adjustment of Lead-in Switch Position". (See page 26.)
- Once the optical pickup head is removed, it will be necessary to perform "Confirmation of magnetic head installation Position". (See page 26.)

- Remove 3 screws (C1) and then remove the sled motor.
- Remove the Optical Pickup Head.

Caution

Use care so as not to cause any damage to the gear.
(A damaged gear will cause abnormal noise to occur while searching.)

Removal of Spindle Motor (Fig. 10)

- Once the spindle motor is removed, it will be necessary to perform "Pickup Rating". (See page 28.)

Remove 3 screws (D1) and then remove the Spindle Motor.

Caution

- Be careful not to scratch the gear.
(Scratched gear will produce noises during searching.)
- As the turn-table is magnetized, keep foreign objects from being attracted.

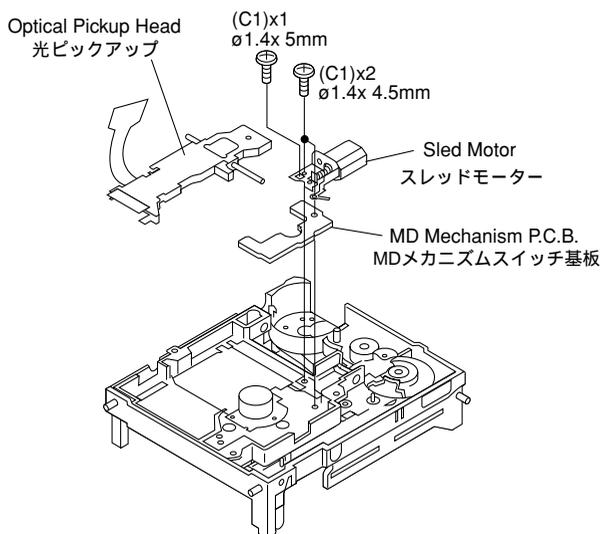


Fig. 9

スレッドモーター/光ピックアップの外し方 (Fig. 9 参照)

- MDメカニズムスイッチ基板を外すと、『リードインスイッチ位置』の調整が必要です。(27ページ参照)
- 光ピックアップを外すと、『磁気ヘッド位置』の確認が必要です。(27ページ参照)

- ねじ(C1)×3本を外し、スレッドモーターを外します。
- 光ピックアップを外します。

注意) ギヤを傷つけないように注意してください。
(ギヤが傷つくと、サーチ時異音が発生する為)

スピンドルモーターの外し方 (Fig. 10 参照)

- スピンドルモーターを外すと、『グレーティング調整』が必要です。(29ページ参照)

ねじ D1)×3本を外し、スピンドルモーターを外します。

注意

- ギヤを傷つけないように注意してください。
(ギヤが傷つくと、サーチ時異音が発生する為)
- ターンテーブルは磁化されていますので、異物吸着しないようにしてください。

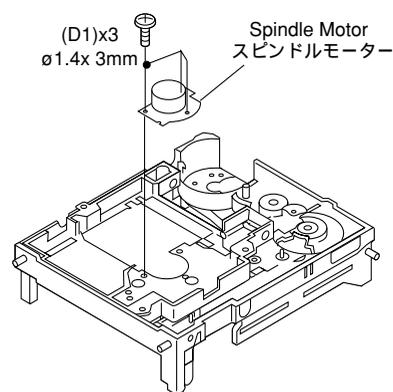


Fig. 10

■ ADJUSTMENT & TEST MODE

Servicing Procedure

Perform adjustment and setup in the TEST mode. Specific adjustments and procedures vary depending on the type of servicing performed.

Type of servicing	Required item							
	TEMP standard setting	EEPROM setting value confirmation	AUTO preliminary adjustment	AUTO adjustment	AUTO AFB adjustment	EEPROM adjustment value entry (*1)	Operation confirmation (With AUTO main adjustment done in advance)	
	TEMP	EEPROM SET	AUT YOBI	AUTO AJST	AUT AFB	TEST mode cancel	TEST-PLAY	TEST-REC
PICKUP replacement	—	①	②	③	④	⑤	⑥	⑦
Magnetic head replacement	—	—	—	—	—	—	—	①
Mechanical unit replacement (including PICKUP)	—	①	②	③	④	⑤	⑥	⑦
MD main PCB replacement	①	②	③	④	⑤	⑥	⑦	⑧
MD microprocessor (IC1401) replacement	—	①	—	—	—	②	③	④
MD LSI (IC1201) replacement	—	—	①	②	③	④	⑤	⑥
RF IC (IC101) replacement	①	②	③	④	⑤	⑥	⑦	⑧
EEPROM IC (IC1402) replacement	①	②	③	④	⑤	⑥	⑦	⑧

Numbers in the table, e.g., ①, ②, ③, indicate the order in which required items should be performed.

"—" means that item needs not be performed.

(*1): The result of EEPROM entry is displayed at the end of the TEST mode.

OK_EEPROM: Both "setting value" and "preliminary adjustment completed" have been entered properly.

WR_EEPROM: The "setting value" has been entered properly but not "preliminary adjustment completed".

Perform preliminary adjustment properly and then enter "preliminary adjustment completed".

NG_EEPROM: The "setting value" has not been entered.

Check the MD microprocessor and EEPROM for connection.

Preparation before Adjustment

● Test disc

Type	Test disc
High reflecting disc	TDYS1 (SONY) [for reproduction] (P/No. TX945850)
Low reflecting disc	Commercially available mini disc for recording
Low reflecting disc	MMD-318 [for pre-adjustment] (P/No. AAX04890)
-----	Clear disc for checking the head (P/No. AAX18050)

● Extension cable (see connection diagram on page 28.)

Type	Part No.
1. Extension P.C.B. for servicing	AAX16660
2. 2-pin extension connector for servicing	AAX16620
3. 6-pin flat cable for servicing	AAX16640
4. 5-pin flat cable for servicing	TX946190
5. 28-pin flat cable for servicing	TX946220

調整及びテストモード

サービス手順

修理内容により、テストモードでの調整及び設定を実施してください。

必要実施項目 修理内容	TEMP 基準設定	EEPROM 設定値確認	AUTO- YOB調整	AUTO- 本調整	AUTO- AFB調整	EEPROM調整 値書込み (*1)	動作確認 (予めAUTO本調整実施後)	
	TEMP	EEPROM_SET	AUT_YOBI	AUTO_AJST	AUT_AFB	テストモードの解除	TEST-PLAY	TEST-REC
PICK交換	-							
磁気ヘッド交換	-	-	-	-	-	-	-	-
メカ交換 (PICK含む)	-							
MDメイン基板交換								
MDマイコン(IC1401) 交換	-		-	-	-			
MD LSK(IC1201)交換	-	-						
RF IQ(IC1101)交換								
EEPROM IQ(IC1402) 交換								

は実施の順序を示しています。

「 - 」は実施不要項目

(*1) : テストモード終了時にEEPROMの書込み結果を表示します。

OK_EEPROM : 「設定値」及び「予備調整完了済み」の書込みが正常に行われた。

WR_EEPROM : 「設定値」の書込みは正常に行われたが、「予備調整完了済み」の書込みがされていない。

予備調整を実施し正常に調整後、書込みを行ってください。

NG_EEPROM : 「設定値」の書込みができなかった。

MDマイコンとEEPROMの接続をチェックしてください。

準備するもの

テストディスク

種類	テストディスク	部品NO.
1. 高反射ディスク	TDYS1 (SONY) [再生用]	TX945850
2. 低反射ディスク	市販の録音用ミニディスク	- - - - -
3. 低反射ディスク	MMD-318 [予備調整用]	AAX04890
4. - - - - -	ヘッド確認用透明ディスク	AAX18050

延長ケーブル (接続図29ページ参照)

種類	部品NO.
1. サービス用延長基板	AAX16660
2. サービス用2ピン延長コネクタ	AAX16620
3. サービス用6ピンフラットケーブル	AAX16640
4. サービス用5ピンフラットケーブル	TX946190
5. サービス用28ピンフラットケーブル	TX946220

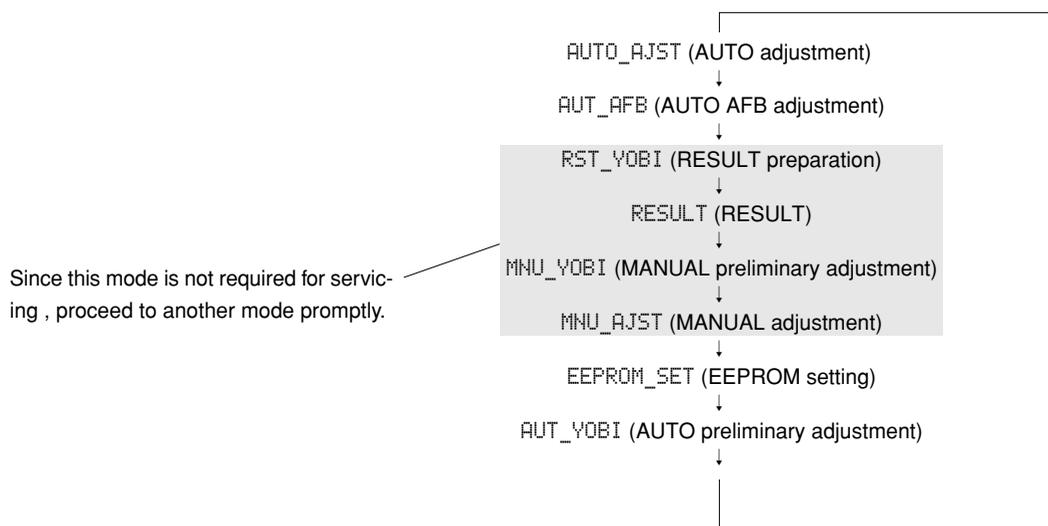
TEST MODE

1. How to enter the test mode

- 1) Press the "STANDBY/ON" button while pressing the "□" button and the "INPUT" button and then release your fingers from those buttons.
"EJECT" is displayed.
- 2) Load either a disc for reproduction or a disc for recording.
"AUTO AJST" is displayed.

2. How to set to each mode

Every time the DISPLAY (forward) or EDIT (reverse) button on the remote control unit is pressed, the mode changes. (For operation of each mode, refer to the section describing each mode.)



3. How to cancel test mode (Entry of EEPROM adjustment value)

- 1) Be sure to perform AUTO preliminary adjustment, AUTO adjustment and AUTO AFB adjustment.
("COMPLETE" is displayed.)
- 2) After completing above adjustments, press the REC/PAUSE button (REMOCON). (Entry to EEPROM initiates then.)
The TEST mode is completed. ("Test End" is displayed.)
- 3) Press the "△" button to take out the disc.
- 4) Turn off the power.

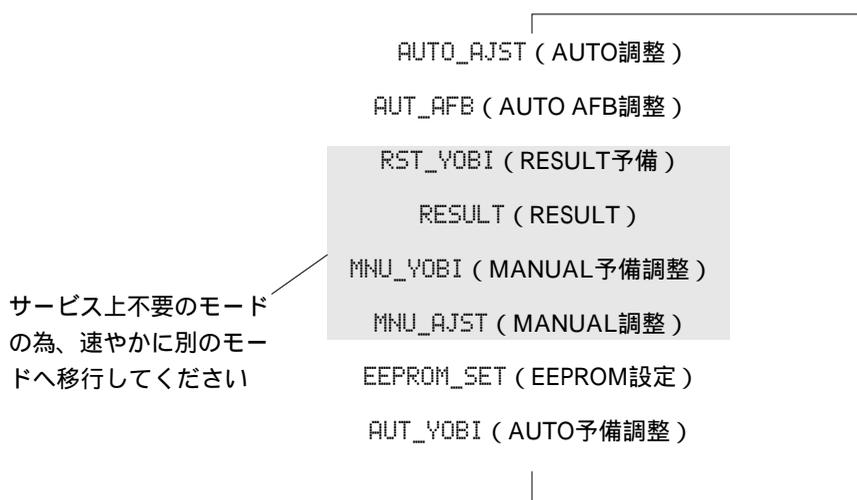
テストモード

1. テストモードの入り方

- 1) “□”ボタンと“INPUT”ボタンを押しながら“STANDBY/ON”ボタンを押した後、これらのボタンから指を離します。
『 E J E C T 』と表示します。..... EJECTモード
- 2) 再生用ディスク又は録音用ディスクを入れます。
『 A U T O A J S T 』と表示します。..... AUTO調整モード
以上でテストモード状態になります。

2. 各モードの入り方

リモコンのDISPLAYボタン(順送り)/EDITボタン(逆送り)を押すたびに、各モードに変化します。
(各モードの操作については各モードの項を参照してください。)



3. テストモードの解除 (EEPROM調整値書き込み)

- 1) 必ずAUTO予備調整・AUTO調整・AUTO AFB調整を実施してください。
- 2) 上記調整終了後、リモコンのREC/PAUSEボタンを押します。(これよりEEPROMに書き込みます。)
テストモードが終了します。(Test End表示)
- 3) “△”ボタンを押し、ディスクを取り出します。
- 4) 電源を切ります。

Details of Test Mode

1. EJECT mode

Step	Setting method	Remark	Display
1	EJECT status in the TEST mode	EJECT menu (No disc is loaded.)	[_ _ EJECT _ _]
2	Press the INPUT button (REMOCON).	Reproduction power output status	[PFW _ _ _ _ _]
3	Press the INPUT button (REMOCON).	Recording power output status	[RFW _ _ _ _ _]
4	Press the INPUT button (REMOCON).	Since this mode is not required for servicing , proceed to another mode promptly.	[XFW _ _ _ _ _]
5	Press the TITLE edit button (REMOCON).	To TEMP setting (Refer to TEMP setting)	[TEMP _ 〇 〇 _ ◆ ◆]
6	Press the CHARA. button (REMOCON).	To CONTROL1 setting	[CONTROL1 _ 08]
7	Press the DISPLAY button (REMOCON).	To CONTROL2 setting	[CONTROL2 _ 02]
8	Press the DELETE/CANCEL button (REMOCON).	EJECT menu	[_ _ EJECT _ _]

Check procedure	Mode	Check item (Pin 3 of IC1401)	Judgement	Possible cause and check content
①	Playback power output "ppw"	DC 0.2V	OK (Move on to check ②.)	–
		DC 1.5V	NG	Perform *1.
②	Recording power output "rpw"	DC 1.8V	OK (End of checking.)	–
		Less than DC1.5V	NG	Perform *2.
	"rpw" not achieved.	–	NG	Perform *1.

*1: Poor soldering of the line at Pin 100 of IC1401.

Check the line of Pin 93 of IC1401 for short and poor soldering. (Check all the way to the SW P.C.B.)

*2: Check the line of Pin 3 of IC1401 for poor soldering and short with other patterns.

Check the pick-up laser for breakage.

● Confirmation of pick-up laser power

Recording and reproduction can be checked by using the laser power meter. However it should be used for checking only because there is variation in its measurement. When the measured value is excessively deviated from the reference value, replace the pick-up.

Reference value (measured at room temperature of 25 °C)

During reproduction (ppw) : 0.72 ± 0.1 mW

During recording : 5.5 ± 0.5 mW

Note : Be very careful when using the laser power meter.

The laser beam would cause damage to your eye if exposed to it directly.

● TEMP (temperature standard) setting

(Make this setting quickly when the room temperature is within the range of 21 °C to 29 °C and the P.C.B. is cold.)

(1) Set to the TEMP setting mode menu.

[TEMP 〇 〇 ◆ ◆]

〇 〇 : Temperature measured value

◆ ◆ : Temperature setting value

(2) Make temperature correction based on the ambient temperature and according to the following table.

Ambient temperature	Correction value
+ 21.0 °C ~ + 23.2 °C	– 1H
+ 23.3 °C ~ + 26.8 °C	± 0H
+ 26.9 °C ~ + 30.7 °C	+ 1H

Example : When the temperature measured value is 7AH and the ambient temperature is 22 °C:

7AH (measured value) - 01H (correction value) = 79H (setting value)

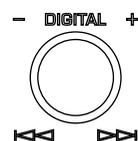
* If the temperature measured value deflects between two values, use the smaller value (If 7AH and 79H in the above example, use 79H.)

(3) Using the jog dial, match the value obtained in Step (2) with the temperature setting value.

Example : When the temperature measured value is 7AH and the ambient temperature is 22 °C:

[TEMP 7A 79]

Temperature setting value



(Jog dial)

テストモード詳細

1. EJECTモード

ステップNO.	設定方法	備 考	表 示
ステップ1	テストモードEJECT状態	EJECTメニュー（ディスクが挿入されていない状態）	『 __ E J E C T __ __ 』
ステップ2	リモコンのINPUTボタンを押す	再生パワー出力状態	『 p p w _____ 』
ステップ3	リモコンのINPUTボタンを押す	記録パワー出力状態	『 r p w _____ 』
ステップ4	リモコンのINPUTボタンを押す	サービス上不要のモードの為、 速やかに別のモードへ移行してください	『 x p w _____ 』
ステップ5	リモコンのTITLEボタンを押す	TEMP設定へ (TEMP設定参照)	『 T E M P _ _ _ 』
ステップ6	リモコンのCHARA.ボタンを押す	CONTROL1設定	『 C O N T R L 1 _ 0 8 』
ステップ7	リモコンのDISPLAYボタンを押す	CONTROL2設定	『 C O N T R L 2 _ 0 2 』
ステップ8	リモコンのDELETE/CANCELボタンを押す	EJECTメニュー	『 __ E J E C T __ __ 』

チェック手順	モード	チェック項目 IC1401の3番ピン	判定	考えられる原因とチェック内容
	再生パワー出力『ppw』	DC0.2V	OK (チェックへ)	-
		DC1.5V	NG	*1を実施。
	記録パワー出力『rpw』	DC1.8V	OK (チェック終了)	-
		DC1.5V未満	NG	*2を実施
	『rpw』にならない	-	NG	*1を実施。

* 1 : IC1401の100番PINライン半田付け不良。

IC1401の93番PINラインのショート及び半田付け不良チェック (SW基板までチェックのこと)

* 2 : IC1401の3番PINライン半田付け不良及び他のパターンとのショートチェック。

ピックアップレーザが壊れていないかチェック。

ピックアップレーザパワーの確認

レーザパワーメータにて記録・再生時の確認ができます。但し、レーザパワーメータの測定ばらつき等がありますので確認のみとします。

大きくずれている場合はピックアップを交換します。

参考値 (室温25 の時)

再生時 (ppw) 0.72 ± 0.1mW

録音時 (vpw) 5.5 ± 0.5mW

注) レーザ光を直視すると目を痛めますので十分注意してください。

TEMP (温度基準) 設定

(室温21 ~ 29 内で、基板が熱を持っていない状態にて素早く行ってください。)

1) TEMP設定モードメニューにします。

『 T E M P _ _ _ 』
: 温度測定値, : 温度設定値

2) 周囲温度により、下表に基づいて温度補正を行います。

周囲温度	補正值
+ 2 1 ~ + 2 3 . 2	- 1 H
+ 2 3 . 3 ~ + 2 6 . 8	± 0 H
+ 2 6 . 9 ~ + 3 0 . 7	+ 1 H

例：温度測定値が7AHで周囲温度22 の場合

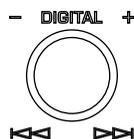
7AH (測定値) - 01H (補正值) = 79H (設定値)

* 温度測定値が2値の間でちらつく場合、小さい値(7AHと79Hなら79H)を測定値とします。

3) 上記にて求めた値と温度設定値が、同じ値となるようにジョグダイヤルで合わせます。

例：温度測定値が7AHで周囲温度22 の場合

『 T E M P 7 A 7 9 』
(温度設定値)



(ジョグダイヤル)

2. AUTO preliminary adjustment mode Disc in use: MMD-318 [for pre-adjustment]

Step	Setting method	Remark	Display
1	Set the Test mode.	No disc is loaded.	[EJECT]
2	Load a disc.	Auto adjustment menu	[LOADING] [AUTO _ AJST _]
3	Press the EDIT button (REMOCON) once.	Auto preliminary adjustment menu	[_ AUT _ YOBI _]
4	Press the SET/ENTER button (REMOCON) once. Adjusted values are output. Adjustment is completed.	Auto preliminary adjustment is started after sliding to the innermost track. “ *** ” changes in the following order during automatic adjustment. HAo -> -> TCO Proceed to Step 5 when adjustment is OK. Proceed to Step 6 when adjustment is NG.	[*** : _ _ _ _ _] [_ COMPLETE _] [Can't _ ADJ.]
5	When adjustment is OK, press the DELETE/CANCEL button (REMOCON).	The display returns to the AUTO preliminary adjustment menu.	[_ AUT _ YOBI _]
6	When adjustment is NG, press the DELETE/CANCEL button (REMOCON).	There is an abnormality at the adjusted point such as HAo. Refer to “Troubleshooting”. (page 36)	[Can't _ ADJ.]

3. AUTO adjustment mode Disc in use: TDYS1 (SONY) [for reproduction] or commercially available mini disc for recording

Step	Setting method	Remark	Display
1	Set the TEST mode.	No disc is loaded.	[EJECT]
2	Load a disc.	AUTO adjustment menu	[LOADING] [AUTO _ AJST _]
3	Press the SET/ENTER button (REMOCON) once. Adjusted values are output. Adjustment is completed.	Automatic adjustment is started after sliding to the innermost track. “ *** ” changes in the following order when a high reflecting disc (disc for reproduction) is used. PEG -> HAG “ *** ” changes in the following order when a low reflecting disc (disc for recording) is used. PEG -> LAg -> GCG -> GEG -> LAG Proceed to Step 4 when adjustment is OK. Proceed to Step 6 when adjustment is NG.	[*** : _ _ _ _ _] [_ COMPLETE _] [Can't _ ADJ.]
4	When adjustment is OK, press the SET/ENTER button (REMOCON).	Continuous reproduction (bit section) (Address + C1 error display) Continuous reproduction (group section) (Address + C1 error display)	[≡ XXXX c YYYY] [≡ XXXX c YYYY]
5	Press the INPUT button. Press the DELETE/CANCEL button (REMOCON).	Continuous reproduction (group section) (Address + ADIP error display) Display returns to the AUTO adjustment menu display.	[≡ XXXX a YYYY] [AUTO _ AJST _]
6	When adjustment is NG, press the DELETE/CANCEL button (REMOCON).	There is an abnormality at the adjusted point such as PEG. Refer to “Troubleshooting”. (page 36)	[Can't _ ADJ.]

Note) *** : Adjustment name, XXXX: Address, YYYY: Measured value

4. AUTO AFB adjustment mode Disc in use: Commercially available mini disc for recording

Step	Setting method	Remark	Display
1	Set the Test mode.	No disc is loaded.	[EJECT]
2	Load a disc.	Auto adjustment menu	[LOADING] [AUTO _ AJST _]
3	Press the DISPLAY button (REMOCON) once.	Auto AFB adjustment menu	[_ AUT _ AFB _]
4	Press the SET/ENTER button (REMOCON) once.	Auto AFB adjustment is started. Adjusted values are output.	[FAB YY _ ZZZZ] [YY _ ZZZZ _ _]
5	Press the DELETE/CANCEL button (REMOCON).	The display returns to the AUTO AFB adjustment menu.	[_ AUT _ AFB _]

Note) YY, ZZZZ: Measured value

2. AUTO予備調整モード 使用するディスク：MMD-318[予備調整用]

ステップNO.	設定方法	備 考	表 示
ステップ1	テストモードEJECT状態	EJECTメニュー（ディスクが挿入されていない状態）	『__EJECT__』
ステップ2	ディスクを入れる	AUTO調整メニュー	『LOADING』 『AUTO_AJST__』
ステップ3	リモコンのEDITボタンを1回押す	AUTO予備調整メニュー	『__AUT_YOBI__』
ステップ4	リモコンのSET/ENTERボタンを1回押す 調整終了	スライド最内周移動し自動予備調整に入る ・自動調整中 は次のように変化する。 HAo TCO 調整OKの場合はステップ5 調整NGの場合はステップ6	『 : _____』 『__COMPLETE__』 『Can't_ADJ.』
ステップ5	調整OKの場合 リモコンのDELETE/CANCELボタンを押す	AUTO予備調整メニュー表示に戻す	『__AUT_YOBI__』
ステップ6	調整NGの場合 リモコンのDELETE/CANCELボタンを押す	HAo等の調整箇所にも異常があります。 トラブルシューティングを参照（37ページ）	『Can't_ADJ.』

3. AUTO調整モード 使用するディスク：TDYS1(SONY)[再生用]または市販の録音用ミニディスク

ステップNO.	設定方法	備 考	表 示
ステップ1	テストモードEJECT状態	EJECTメニュー（ディスクが挿入されていない状態）	『__EJECT__』
ステップ2	ディスクを入れる	AUTO調整メニュー	『LOADING』 『AUTO_AJST__』
ステップ3	リモコンのSET/ENTERボタンを1回押す 調整値出力 調整終了	スライド最内周移動し自動調整に入る ・高反射ディスク（再生ディスク）時 は次のように変化する。 PEG HA _g ・低反射ディスク（録音ディスク）時 は次のように変化する。 PEG LA _g GCG GEG LAG 調整OKの場合はステップ4 調整NGの場合はステップ6	『 : _____』 『__COMPLETE__』 『Can't_ADJ.』
ステップ4	調整OKの場合 リモコンのSET/ENTERボタンを押す	連続再生（ピット部）（アドレス+C1エラー表示） 連続再生（グループ部）（アドレス+C1エラー表示）	『s c 』 『a c 』
ステップ5	リモコンのINPUTボタンを押す リモコンのDELETE/CANCELボタンを押す	連続再生（グループ部）（アドレス+ADIPエラー表示） AUTO調整メニュー表示に戻す。	『a a 』 『AUTO_AJST__』
ステップ6	調整NGの場合 リモコンのDELETE/CANCELボタンを押す	PEG等の調整箇所にも異常があります。 トラブルシューティングを参照（37ページ）	『Can't_ADJ.』

・ : 調整名, : 測定値, : アドレス

4. AUTO AFB調整モード 使用するディスク：市販の録音用ミニディスク

ステップNO.	設定方法	備 考	表 示
ステップ1	テストモードEJECT状態	EJECTメニュー（ディスクが挿入されていない状態）	『__EJECT__』
ステップ2	ディスクを入れる	AUTO調整メニュー	『LOADING』 『AUTO_AJST__』
ステップ3	リモコンのDISPLAYボタンを1回押す	AUTO AFB調整メニュー	『__AUT_AFB__』
ステップ4	リモコンのSET/ENTERボタンを1回押す	自動調整に入る 調整値を表示	『FAB __ 』 『 __ __ 』
ステップ5	リモコンのDELETE/CANCELボタンを押す	AUTO AFB調整メニュー表示に戻す	『__AUT_AFB__』

・ , : 測定値

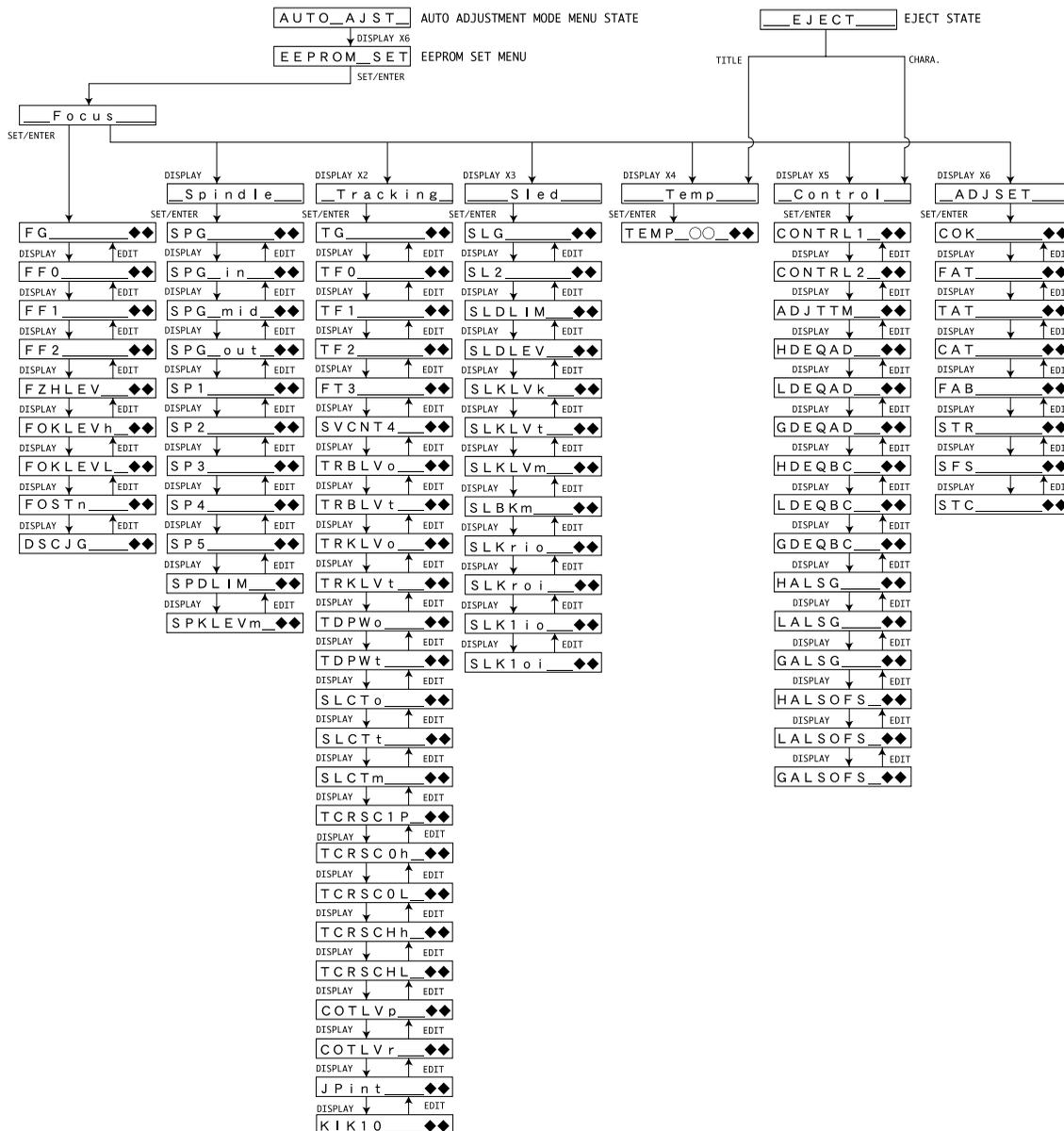
5. EEPROM setting mode

Disc in use: Commercially available mini disc for recording

(used to confirm/adjust setting values)

- 1) Start the TEST mode.
- 2) Load the disc.
[AUTO AJST]
- 3) Press the DISPLAY button (REMOCON) 6 times.
[EEPROM SET]
- 4) Execute the procedure to have "EEPROM setting mode transition diagram" displayed and adjust the jog dial so that the same setting values as those in "EEPROM contents list" are obtained.
(Refer to p.16 for TEMP setting.)
- 5) Press the REC/PAUSE button (REMOCON) to cancel the TEST mode.
(Entry into EEPROM can be started here.)
- 6) Set to the TEST mode again and perform AUTO preliminary adjustment, AUTO adjustment and AUTO AFB adjustment.

EEPROM SETTING MODE TRANSITION DIAGRAM



Note) To return to the SUB MENU or MAIN MENU display of the test mode, press the DELETE/CANCEL button.

MDX-E300

EEPROM CONTENTS LIST

● Focus setting (Focus)

Item on display	Set value
FG ○○	B1 H
FF0 ○○	10 H
FF1 ○○	70 H
FF2 ○○	E0 H
FZHLEV ○○	ED H
FOKLEVh ○○	07 H
FOKLEVL ○○	09 H
F0STn ○○	2C H
DISCJG ○○	14 H

● Spin setting (Spindle)

Item on display	Set value
SPG ○○	10 H
SPG-in ○○	5C H
SPG-mid ○○	48 H
SPG-out ○○	38 H
SP1 ○○	10 H
SP2 ○○	93 H
SP3 ○○	ED H
SP4 ○○	EE H
SP5 ○○	20 H
SPDLIM ○○	64 H
SPKLEVm ○○	15 H

● Tracking setting (Tracking)

Item on display	Set value
TG ○○	6B H
TF0 ○○	10 H
TF1 ○○	6B H
TF2 ○○	F0 H
FT3 ○○	08 H
SVCNT4 ○○	01 H
TRBLV _o ○○	68 H
TRBLV _t ○○	50 H
TRKLV _o ○○	60 H
TRKLV _t ○○	2E H
TDPW _o ○○	67 H
TDPW _t ○○	21 H
SLCT _o ○○	00 H
SLCT _t ○○	50 H
SLCT _m ○○	53 H
TCRSC1P ○○	16 H
TCRSC0h ○○	00 H
TCRSC0L ○○	FA H
TCRSC0h ○○	02 H
TCRSC0L ○○	02 H
COTLVP ○○	05 H
COTLV _r ○○	15 H
JPint ○○	00 H
KIK10 ○○	64 H

● Slide setting (Sled)

Item on display	Set value
SLG ○○	3E H
SL2 ○○	10 H
SLDLIM ○○	7F H
SLDLEV ○○	12 H
SLKLV _k ○○	55 H
SLKLV _t ○○	2E H
SLKLV _m ○○	55 H
SLBK _n ○○	08 H
SLK _r io ○○	60 H
SLK _r oi ○○	68 H
SLK _i io ○○	68 H
SLK _i oi ○○	60 H

● Control setting (Control)

Item on display	Set value
CONTROL1 ○○	08 H
CONTROL2 ○○	02 H
ADJT _{TM} ○○	14 H
HDEQAD ○○	92 H
LDEQAD ○○	8E H
GDEQAD ○○	91 H
MDEQBC ○○	8C H
LDEQBC ○○	8F H
GDEQBC ○○	8A H
HALSG ○○	11 H
LALSG ○○	11 H
GALSG ○○	11 H
HALSOF _S ○○	FC H
LALSOF _S ○○	00 H
GALSOF _S ○○	00 H

● Adjust setting (ADJSET)

Item on display	Set value
COK ○○	58 H
FAT ○○	C0 H
TAT ○○	3E H
CAT ○○	40 H
FAB ○○	5C H
STR ○○	0B H
SFS ○○	0D H
STC ○○	0D H

5. EEPROM設定モード（設定値の確認 / 調整に使用します。） 使用するディスク：市販の録音用ミニディスク

- 1) テストモードを立ち上げます。
- 2) ディスクをいれます。
『 A U T O A J S T 』
- 3) リモコンのDISPLAYボタンを6回押します。
『 E E P R O M S E T 』
- 4) 『EEPROM設定モード遷移図』に示す操作を行い、
『EEPROM内容一覧』と全て同じ設定値になるよう
に、ジョグダイヤルにて調整します。
(TEMP 設定は17ページを参照)
- 5) リモコンのREC/PAUSEボタンを押してテストモード
を解除します。(これよりEEPROMに書き込みます。)
- 6) 再度テストモードに入り、AUTO予備調整・AUTO調
整・AUTO AFB調整を実施します。

EEPROM設定モード遷移図



注意) テストモードのSUB MENUまたはMAIN MENU表示に戻す場合は、DELETE/CANCELボタンを押す。

EEPROM内容一覧

● フォーカス設定 (Focus)

項目表示	設定値
F G	B 1 H
F F 0	1 0 H
F F 1	7 0 H
F F 2	E 0 H
F Z H L E V	E D H
F O K L E V h	0 7 H
F O K L E V L	0 9 H
F O S T n	2 C H
D S C J G	1 4 H

● スピン設定 (Spindle)

項目表示	設定値
S P G	1 0 H
S P G - i n	5 C H
S P G - m i d	4 8 H
S P G - o u t	3 8 H
S P 1	1 0 H
S P 2	9 3 H
S P 3	E D H
S P 4	E E H
S P 5	2 0 H
S P D L I M	6 4 H
S P K L E V m	1 5 H

● トラッキング設定 (Tracking)

項目表示	設定値
T G	6 B H
T F 0	1 0 H
T F 1	6 B H
T F 2	F 0 H
F T 3	0 8 H
S V C N T 4	0 1 H
T R B L V o	6 8 H
T R B L V t	5 0 H
T R K L V o	6 0 H
T R K L V t	2 E H
T D P W o	6 7 H
T D P W t	2 1 H
S L C T o	0 0 H
S L C T t	5 0 H
S L C T m	5 3 H
T C R S C 1 P	1 6 H
T C R S C 0 h	0 0 H
T C R S C 0 L	F A H
T C R S C H h	0 2 H
T C R S C H L	0 2 H
C O T L V P	0 5 H
C O T L V r	1 5 H
J P i n t	0 0 H
K I K 1 0	6 4 H

● スライド設定 (Sled)

項目表示	設定値
S L G	3 E H
S L 2	1 0 H
S L D L I M	7 F H
S L D L E V	1 2 H
S L K L V k	5 5 H
S L K L V t	2 E H
S L K L V m	5 5 H
S L B K m	0 8 H
S L K r i o	6 0 H
S L K r o i	6 8 H
S L K 1 i o	6 8 H
S L K 1 o i	6 0 H

● コントロール設定 (Control)

項目表示	設定値
C O N T R L 1	0 8 H
C O N T R L 2	0 2 H
A D J T T M	1 4 H
H D E Q A D	9 2 H
L D E Q A D	8 E H
G D E Q A D	9 1 H
M D E Q B C	8 C H
L D E Q B C	8 F H
G D E Q B C	8 A H
H A L S G	1 1 H
L A L S G	1 1 H
G A L S G	1 1 H
H A L S O F S	F C H
L A L S O F S	0 0 H
G A L S O F S	0 0 H

● 調整設定 (ADJSET)

項目表示	設定値
C O K	5 8 H
F A T	C 0 H
T A T	3 E H
C A T	4 0 H
F A B	5 C H
S T R	0 B H
S F S	0 D H
S T C	0 D H

6. TEST-PLAY mode Using the disc: Commercially available mini disc for recording

(Use this mode to check that the playback function is provided at the specified address.)

Step	Setting method	Remark	Display
1	Load a disc.	AUTO adjustment menu	[AUTO _ AJST _]
2	Press the TITLE button (REMOCON).	TEST-PLAY menu	[TEST _ PLAY _]
3	Press the INPUT button (REMOCON).	ADDRESS setting (The initial value of the target address is displayed.)	[ADRES _ 0032]
4	Press the SET/ENTER button (REMOCON).	Continuous reproduction (bit section) (Address + C1 error display)	[Ⓢ XXXX c YYYY]
		Continuous reproduction (group section) (Address + C1 error display)	[Ⓢ XXXX c YYYY]
5	Press the INPUT button (REMOCON).	Continuous reproduction (group section) (Address + ADIP error display)	[Ⓢ XXXX Ⓢ YYYY]
6	Press the DELETE/CANCEL button (REMOCON).	TEST-PLAY menu	[TEST _ PLAY _]

- Every time the TITLE button (REMOCON) is pressed in the address setting mode, the address changes in the order of 0032-> 03C0 -> 0700 -> 08A0 -> 0950 -> —
- Pressing the DISPLAY button (REMOCON) in the TEST-PLAY menu changes to the AUTO adjustment menu.

7. TEST-REC mode Disc in use: Commercially available mini disc for recording

(It is used to check the REC function at the specified address.)

Step	Setting method	Remark	Display
1	Load a disc.	AUTO adjustment menu	[AUTO _ AJST _]
2	Press the TITLE button (REMOCON) twice.	TEST-REC menu	[TEST _ REC _ _]
3	Press the SET/ENTER button (REMOCON).	ADDRESS setting (The initial value of the address is displayed.)	[Ⓢ0032 _ PW ZZ]
4	Press the SET/ENTER button (REMOCON).	Continuous recording	[Ⓢ XXXX _ PW ZZ]
5	Press the DELETE/CANCEL button (REMOCON).	TEST-REC menu	[TEST _ REC _ _]

- Every time the TITLE button (REMOCON) is pressed in the address setting mode, the address changes in the order of 0032-> 03C0 -> 0700 -> 08A0 -> 0950 -> —
- Pressing the DISPLAY button (REMOCON) in the TEST-REC menu changes to the AUTO adjustment menu.

8. INNER mode Disc in use: Commercially available mini disc for recording

Step	Setting method	Remark	Display
1	Load a disc.	AUTO adjustment menu	[AUTO _ AJST _]
2	Press the CHARA. button (REMOCON).	INNER menu	[_ _ INNER _ _]
3	Press the SET/ENTER button (REMOCON).	INNER switch position is measured. (Both SUBQ address and C1 error are displayed.)	[Ⓢ XXXX c YYYY]
4	Press the DELETE/CANCEL button (REMOCON).	INNER menu	[_ _ INNER _ _]

- Pressing the DISPLAY button (REMOCON) in the INNER menu changes to the AUTO adjustment menu.

6. TEST-PLAYモード 使用するディスク：市販の録音用ミニディスク

(指定アドレスでの再生性能確認用に使用します。)

ステップNO.	設定方法	備 考	表 示
ステップ1	ディスクを入れる	AUTO調整メニュー	『AUTO_AJST_』
ステップ2	リモコンのTITLEボタンを押す	TEST-PLAYメニュー	『TEST_PLAY_』
ステップ3	リモコンのINPUTボタンを押す	ADRES設定(目標アドレス初期値を表示)	『ADRES_0032』
ステップ4	リモコンのSET/ENTERボタンを押す	連続再生(ピット部) (アドレス+C1エラー表示) 連続再生(グループ部) (アドレス+C1エラー表示)	『s c_』 『a c_』
ステップ5	リモコンのINPUTボタンを押す	連続再生(グループ部) (アドレス+ADIPエラー表示)	『a a_』
ステップ6	リモコンのDELETE/CANCELボタンを押す	TEST-PLAYメニュー	『TEST_PLAY_』

・アドレス設定モードでリモコンのTITLEボタンを押す毎にアドレスが次のように変化します。

0032 03C0 0700 08A0 0950

・TEST-PLAYメニュー中にリモコンのDISPLAYボタンを押すと、AUTO調整メニューに移行します。

7. TEST-RECモード 使用するディスク：市販の録音用ミニディスク

(指定アドレスでのREC性能確認用に使用します。)

ステップNO.	設定方法	備 考	表 示
ステップ1	ディスクを入れる	AUTO調整メニュー	『AUTO_AJST_』
ステップ2	リモコンのTITLEボタンを2回押す	TEST-RECメニュー	『TEST_REC_』
ステップ3	リモコンのSET/ENTERボタンを押す	ADRES設定(アドレス初期値を表示)	『a0032_pw_』
ステップ4	リモコンのSET/ENTERボタンを押す	連続記録	『a pw_』
ステップ5	リモコンのDELETE/CANCELボタンを押す	TEST-RECメニュー	『TEST_REC_』

・アドレス設定モードでリモコンのTITLEボタンを押す毎にアドレスが次のように変化します。

0032 03C0 0700 08A0 0950

・TEST-RECメニュー中にDISPLAYボタンを押すと、AUTO調整メニューに移行します。

8. INNERモード 使用するディスク：市販の録音用ミニディスク

ステップNO.	設定方法	備 考	表 示
ステップ1	ディスクを入れる	AUTO調整メニュー	『AUTO_AJST_』
ステップ2	リモコンのCHARA.ボタンを押す	INNERメニュー	『__INNER__』
ステップ3	リモコンのSET/ENTERボタンを押す	INNER(リードイン)スイッチ位置測定 (SUBQアドレスとC1エラーも表示)	『s c_』
ステップ4	リモコンのDELETE/CANCELボタンを押す	INNERメニュー	『__INNER__』

・ : アドレス

・INNERメニュー中にリモコンのDISPLAYボタンを押すと、AUTO調整メニューに移行します。

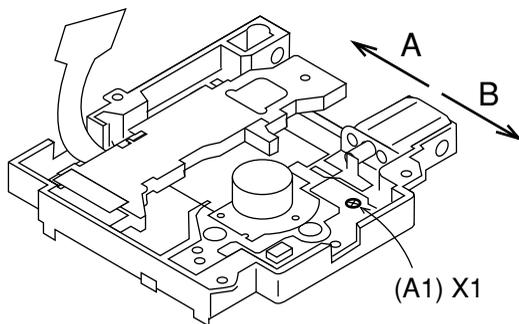
リードインスイッチ位置調整

リードインスイッチ位置をFF85～FFD2に調整します。

1. テストディスクTDYS1(SONY)[再生用](TX945850)を入れます。
2. メカスイッチ基板を固定しているねじ(A1)×1本をゆるめます。
3. FF85以下の場合にはA方向、FFD2以上の場合にはB方向にメカスイッチ基板を押しながらねじ(A1)×1本をしめ直します。

再度リードインスイッチ位置を測定してください。

リードスイッチ位置がFF85～FFD2であることを確認します。



注) 基板上のねじ(A1)×1本は、締め付け後ネジロック塗布

図11

ローディングモータの強制回転

DISPLAY表示がテストモードのマイコンバージョン表示(t s m 2 2 e)またはEJECT表示のとき、ジョグダイヤルを回すことによりローディングモータの強制回転が可能です。(ディスクの取り出しができなくなったときに使用します)



ジョグダイヤル ≡ : 強制EJECT送り
ジョグダイヤル ≡ : 強制LOAD送り

* マイコンバージョン表示にする方法

ディスクが挿入されている場合、『AUTO_A J S T_』表示になっております。

このとき、リモコンのDELETE/CANCELボタンを押すと、マイコンバージョン表示になります。



磁気ヘッドの取付位置確認

- ・磁気ヘッドおよび光ピックアップを交換した場合は必ず取付位置確認を実施願います。
 - ・取付位置調整を安易にする為に光ピックアップを中央位置まで移動して位置調整を行って下さい。
1. ヘッド確認用透明ディスク(AAX18050)をセットします。
 2. 磁気ヘッドアップシフトアームを手で下げ、磁気ヘッドを上げます。
 3. セットを上から見て光ピックアップ対物レンズに磁気ヘッドが合っているか確認します。
 4. 磁気ヘッドが上下にスムーズに動くことを確認します。

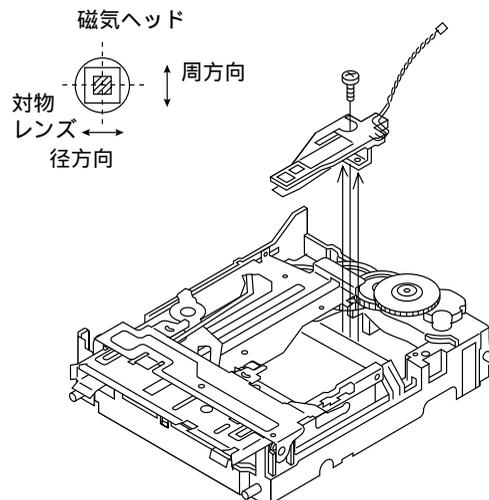
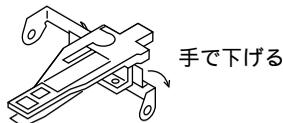


図12

MECHANISM ADJUSTMENT

When making an adjustment, be sure to connect an extension cable for servicing and an expansion P.C.B. as shown in Fig.15.

Optical pickup rating inspection method

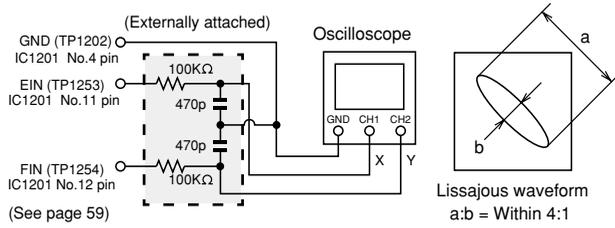


Fig. 13

After performing automatic adjustment in the AUTO mode selected from the test mode by using a TDYS1 (SONY) (P/ No. TX945850) disc for reproduction (COMPLETE status on display), adjust the EOUT to FOUT Lissajous waveform (x-y).

1. Loosen 3 screws of the spindle motor a little and make adjustment while watching the Lissajous waveform.
2. After adjustment, tighten screws in the order of (1), (2) and (3).

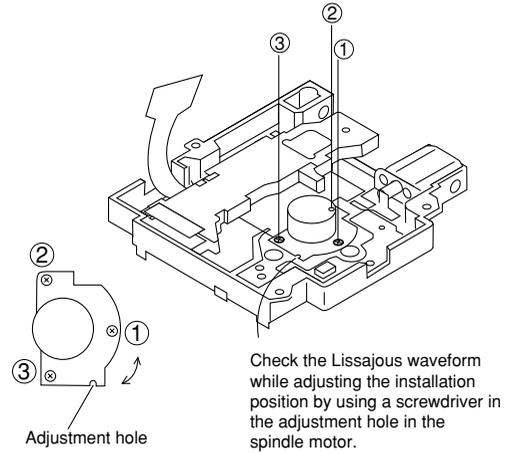


Fig. 14

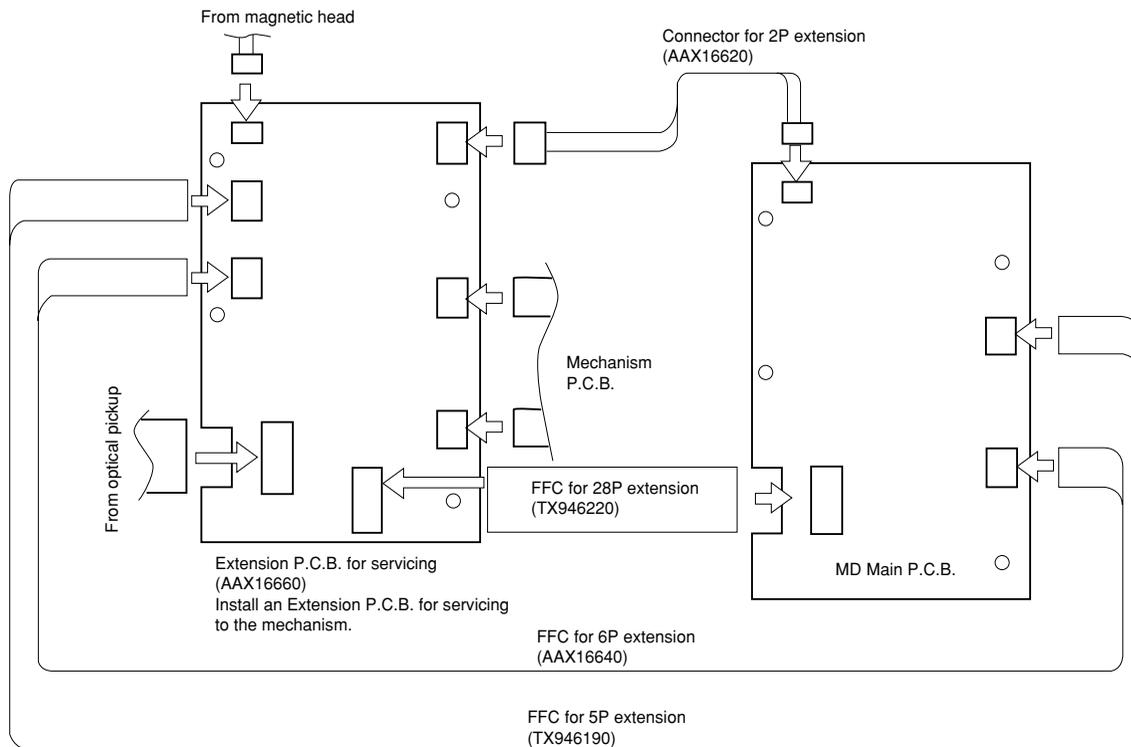
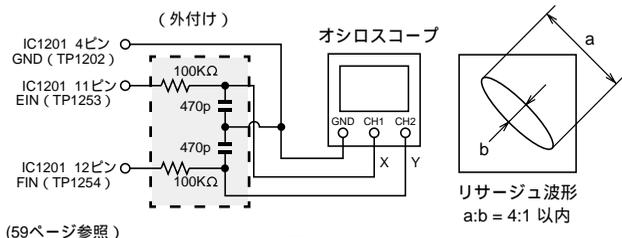


Fig. 15

メカニズム調整

調整する際、図15のようにサービス用の延長ケーブル&延長基板を接続してください。

光ピックアップグレーティング検査方法



(59ページ参照)

図13

テストディスクTDYS1(SONY)[再生用](TX945850)を使用しテストモードのAUTO調整モードで自動調整を行なった後 (COMPLETE表示) EOUT対FOUTのリサージュ波形 (x-y) を調整します。

1. スピンドルモータのねじ3本を少しゆるめ、リサージュ波形を見ながら調整します。
2. 調整後、①、②、③の順にねじを締付けます。

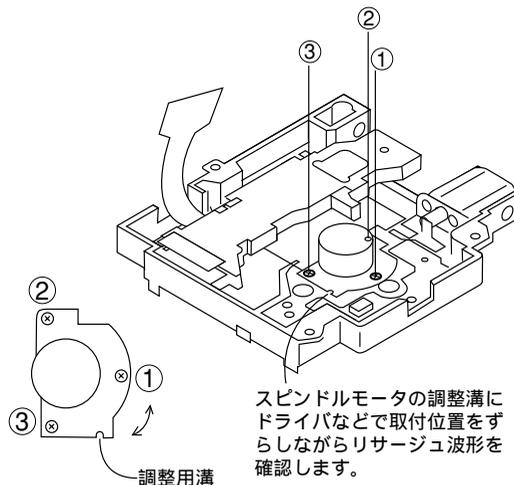


図14

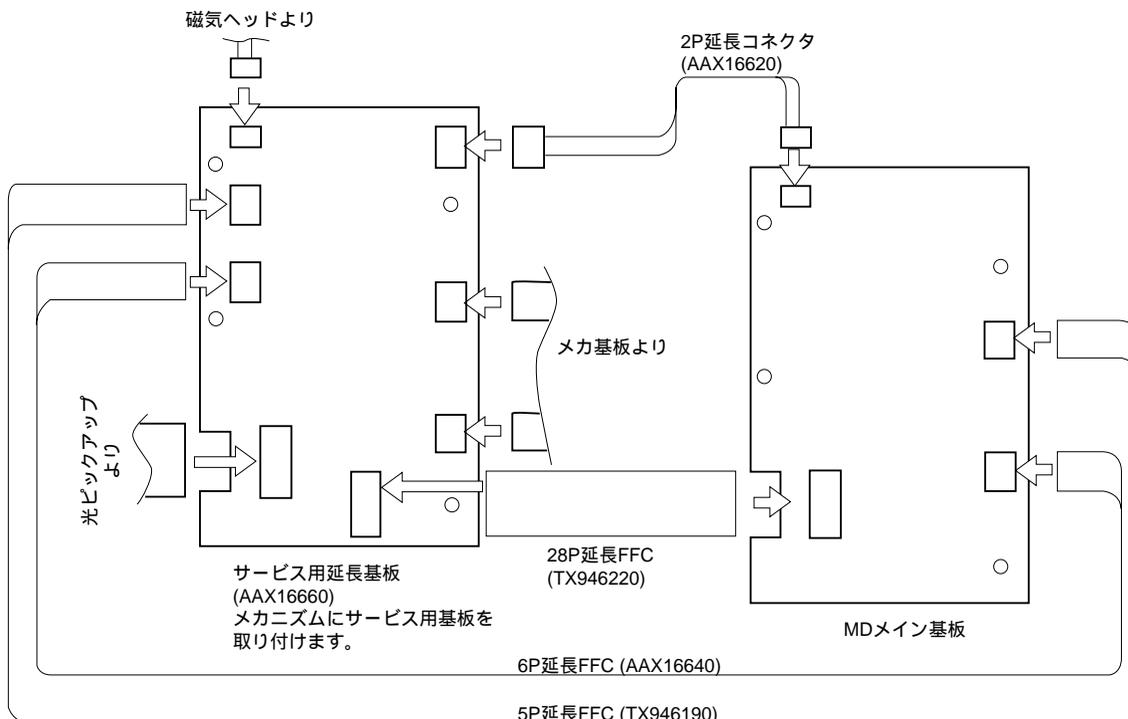


図15

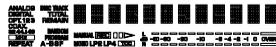
■ SPECIAL TEST MODE

● How to set to the special test mode

Press the “STANDBY/ON” button while pressing the “□” button and the “▷/□□” button. Then all the indicators will light up.

● Operation procedure

Every time the “▷/□□” button is pressed, lighting of indicators and items on the display change as follows.

- 1) All indicators light up. 
- 2) All indicators turn off. 
- 3) All indicators in grid 15 light up. 
- 4) All indicators in grid 2 light up. 
- 5) All indicators in grid 1 light up. 
- 6) All indicators in grid 3-14 light up. 
- 7) The date when the software was entered appears on the display. [Rel:10/04/02]
- 8) The version of the micro processor appears on the display. [S/W Ver 1.00]
- 9) The time of auto-marking appears on the display. [AM Time :C8h]
- 10) The analog level of auto-marking appears on the display. [AM Lv1_A:24h]
- 11) The digital level of auto-marking appears on the display. [AM Lv1_D:1Ah]
- 12) Write/read check for EEPROM appears on the display [EE W/R Check]

When the INPUT button is pressed at this point, whether the micro processor executed data write/read function into EEPROM or not is checked.

If [OK] appears on the display and the pin 6 of IC6 is at “H”, the check result is satisfactory.

[NG] is displayed when there is an error while writing or reading the data.

In such a case, check EEPROM (IC7).

- 13) Single play WR50. [SPWR50 :C0h]
- 14) Single play WR56. [SPWR56 :FEh]
- 15) Single play WR44. [SPWR44 :00h]
- 16) Single play WR53. [SPWR53 :16h]
- 17) Long play 2 WR50. [SPWR50 :80h]
- 18) Long play 2 WR56. [LP2WR56 :20h]
- 19) Long play 2 WR44. [LP2WR44 :80h]
- 20) Long play 2 WR53. [LP2WR53 :00h]
- 21) Long play 4 WR50. [LP4WR50 :BFh]
- 22) Long play 4 WR56. [LP4WR56 :02h]
- 23) Long play 4 WR44. [LP4WR44 :80h]
- 24) Long play 4 WR53. [LP4WR53 :00h]
- 25) Returns the step 1 (All indicators light up).

● How to cancel the special mode

Press the “□” button, and the mode will change from the special test mode to the product mode and the data in RAM will be cleared.

Note : Turning off the power will cancel the special test mode but will not clear the data in RAM (ie., user settings are maintained).

Data to write in EEPROM (IC7)	Initial settings
INPUT mode	ANALOG
REPEAT mode	OFF
RANDOM mode	OFF
PROGRAM mode	OFF
REC mode (STEREO/MONO)	STEREO
AUTO MARK/MANUAL	AUTO (“MANUAL” does not light up.)
DISPLAY mode	DISC TITLE

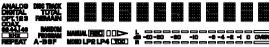
特殊テストモード

特殊テストモードの入り方

“□”ボタンと“▷/00”ボタンを押しながら“STANDBY/ON”ボタンを押します。
表示器が全灯します。

操作のしかた

“▷/00”ボタンを押すたびに、以下の様に表示が変化します。

- 1) 全灯 
- 2) 消灯 
- 3) グリッド15のインジケータが点灯 
- 4) グリッド2のインジケータが点灯 
- 5) グリッド1のインジケータが点灯 
- 6) グリッド3からグリッド14のインジケータが点灯 
- 7) ソフト書き込み日の表示 『Re1:10/04/02』
- 8) マイコンのバージョン表示 『S/W Ver 1.00』
- 9) オートマーキングの時間表示 『AM Time :08h』
- 10) オートマーキングのアナログレベル表示 『AM Lv1_A:24h』
- 11) オートマーキングのデジタルレベル表示 『AM Lv1_D:1Ah』
- 12) EEPROMへの書き込み・読み込みチェック表示 『EE W/R Check』
ここでINPUTボタンを押すと、マイコンがEEPROMにデータを書き込み・読み込みができたかをチェックします。
『OK』が表示され、IC6の6ピンが“H”であればOKです。
データ書き込み・読み込みにエラーがあると『NG』が表示されます。この場合は、EEPROM(IC7)をチェックします。
- 13) シングルプレイWR50 『SPWR50 :C0h』
- 14) シングルプレイWR56 『SPWR56 :FEh』
- 15) シングルプレイWR44 『SPWR44 :00h』
- 16) シングルプレイWR53 『SPWR53 :16h』
- 17) ロングプレイ2 WR50 『SPWR50 :80h』
- 18) ロングプレイ2 WR56 『LP2WR56 :20h』
- 19) ロングプレイ2 WR44 『LP2WR44 :80h』
- 20) ロングプレイ2 WR53 『LP2WR53 :00h』
- 21) ロングプレイ4 WR50 『LP4WR50 :BFh』
- 22) ロングプレイ4 WR56 『LP4WR56 :02h』
- 23) ロングプレイ4 WR44 『LP4WR44 :80h』
- 24) ロングプレイ4 WR53 『LP4WR53 :00h』
- 25) ステップ1(全灯)に戻ります。

特殊テストモードの解除のしかた

“□”ボタンを押すと、特殊テストモードから抜けて製品モードとなり、RAMクリアされます。
注意) 電源を切った場合は、特殊テストモード解除となりますが、RAMクリアはされません。

EEPROM (IC7) に書き込むデータ	初期値
INPUT mode	ANALOG
REPEAT mode	OFF
RANDOM mode	OFF
PROGRAM mode	OFF
REC mode (STEREO/MONO)	STEREO
AUTO MARK/MANUAL	AUTO(MANUALが点灯しない)
DISPLAY mode	DISC TITLE

■ ERROR DISPLAY

Error on display	Description	Countermeasure
Can't REC	<ul style="list-style-type: none"> • DEFECT occurred 10 times continuously during REC-PLAY. • Recordable cluster became "0" due to occurrence of DEFECT during REC-PLAY. • REC mode cannot be set for 20 seconds even after repeatedly trying to read the read disabled address. 	<ul style="list-style-type: none"> • Check that the disc is free from any scratch, dust, finger print, black spot, etc. and that decentering, face deflection, etc. are not excessive.
Can't Copy	<ul style="list-style-type: none"> • One of the following judgments has been made depending on the channel status of the digital signal input from D-IN during REC-PAUSE or REC-PLAY. (1) Other than audio (2) Other than civil purpose (3) Copy NG due to reversed COPY bit of CD (ie., copy protected) 	<ul style="list-style-type: none"> • Check if the CD is a copy inhibited on (e.g., CD-R, etc.)
DIGin Unlock	<ul style="list-style-type: none"> • Either of the following symptoms occurred for the digital signal input from D-IN during REC-PAUSE or REC-PLAY. (1) Digital IN PLL is unlocked. (2) Locked under conditions other than FS=44.1kHz. 	<ul style="list-style-type: none"> • Check that the D-IN signal line is free from abnormality.
TOC Full	<ul style="list-style-type: none"> • No space is left to register music No and character data (song name, disc name, etc.) while the REC-PLAY function is used. • No recordable space is left when trying to activate the REC-PAUSE function. 	<ul style="list-style-type: none"> • Use a disc for recording and reproduction with a space left to register UTOC.
UTOC ERR R	<ul style="list-style-type: none"> • "FTNO > LTNO" occurred. • "FTNO = 0 or 1" occurred. • UTOC recorded in the disc could not be read. 	<ul style="list-style-type: none"> • As an abnormality exists in the UTOC data, use another disc.
UTOC ERR A	<ul style="list-style-type: none"> • "Start address > end address" occurred. 	
UTOC ERR L0 ~ 4	<ul style="list-style-type: none"> • Any one of the UTOC0 ~ 4 data was looped. 	
Not Audio	<ul style="list-style-type: none"> • Data not for audio purpose is recorded in the track mode of TNO which is currently selected. 	<ul style="list-style-type: none"> • Select another TNO or use another disc.
Disc Full	<ul style="list-style-type: none"> • No recordable space is left when trying to activate the REC-PAUSE function. 	<ul style="list-style-type: none"> • Use another disc for recording with a recordable space left.
Playback MD	<ul style="list-style-type: none"> • The loaded disc was for reproduction only when trying to activate the REC-PAUSE function or trying to edit. 	<ul style="list-style-type: none"> • As the loaded disc is for reproduction only, use a disc for recording.
Protected	<ul style="list-style-type: none"> • Recording or editing was attempted while the data protector of the disc for recording and reproduction is set to the data protected state. • Editing the track subject to write protect function was attempted by using the data written in UTOC. 	<ul style="list-style-type: none"> • Try again with the data protector set to the original position. • As the track to be edited is write protected, try again with another track.

エラー表示

エラー表示	エラー内容	処理方法
Can't REC	<ul style="list-style-type: none"> REC-PLAY中DEFECTが連続10回発生した。 REC-PLAY中DEFECTの発生で記録可能クラスタが0となった。 アドレス読み取り不可、再トライをくり返しても20秒間、REC状態に入れない時。 	<ul style="list-style-type: none"> ディスクにキズ・ほこり・指紋・ブラックスポット等がないか。偏芯・面振れ等の大きいディスクでないかチェックする。
Can't Copy	<ul style="list-style-type: none"> REC-PAUSE又は、REC-PLAY中D-INから入力されたデジタル信号のチャンネルステータスにより以下のように判定された。 オーディオ以外である。 民生用以外である。 CDでCOPY bitの反転によりコピーNGである。 	<ul style="list-style-type: none"> コピー禁止のCDなのか（例：CD-R等）かチェックする。
DIGin Unlock	<ul style="list-style-type: none"> REC-PAUSE又は、REC-PLAY中にD-INから入力されたデジタル信号に対して以下となった。 デジタルINのPLLがUNLOCKした。 FS=44.1kHz以外でロックした。 	<ul style="list-style-type: none"> D-INの信号ラインに異常がないかチェックする
TOC Full	<ul style="list-style-type: none"> REC-PLAY中曲番や文字情報（曲名・ディスク名等）を登録する領域がなくなった。 REC-PAUSEに入ろうとしたとき、録音可能な領域が残っていない。 	<ul style="list-style-type: none"> UTOCを登録する領域の残っている録再用ディスクと入れ換えてみる。
UTOC ERR R	<ul style="list-style-type: none"> FTNO > LTNOであった。 FTNO 0 or 1であった。 DISCに記録されているUTOCが読めなかった。 	<ul style="list-style-type: none"> UTOCのデータに異常があるので他のディスクと入れ換えてみる。
UTOC ERR A	<ul style="list-style-type: none"> スタートアドレス > エンドアドレスであった。 	<ul style="list-style-type: none"> UTOCのデータに異常があるので他のディスクと入れ換えてみる。
UTOC ERR L0 ~ 4	<ul style="list-style-type: none"> UTOC 0 ~ 4のどれかのデータがループしていた。 	<ul style="list-style-type: none"> UTOCのデータに異常があるので他のディスクと入れ換えてみる。
Not Audio	<ul style="list-style-type: none"> 現在選曲されているTNOのトラックモードに、オーディオ用でないデータが記録されている。 	<ul style="list-style-type: none"> 他のTNOを選曲するか、他のディスクと入れ換えてみる。
Disc Full	<ul style="list-style-type: none"> REC-PAUSEに入ろうとしたとき、録音可能な領域が残っていない。 	<ul style="list-style-type: none"> 録音可能領域の残っている、他の録音用ディスクと入れ換えてみる。
Playback MD	<ul style="list-style-type: none"> REC-PAUSEに入ろうとした時、又は編集をしようとしたとき、再生専用のディスクだった。 	<ul style="list-style-type: none"> 再生専用のディスクなので、録音用のディスクと入れ換えてみる。
Protected	<ul style="list-style-type: none"> 録音再生用ディスクの誤消去防止ツマミが誤消去防止状態になっているのに、録音又は編集をしようとした。 UTOCに書かれている情報により、ライトプロテクトがかかっているトラックを編集しようとした。 	<ul style="list-style-type: none"> 誤消去防止ツマミをもとに戻してもう一度やり直す。 編集をしようとしたトラックはライトプロテクトがかかっているため、違うトラックでもう一度やり直す。
Can't Edit	<ul style="list-style-type: none"> 各編集機能において、それぞれの編集条件を満足しなかった。 	<ul style="list-style-type: none"> 操作方法が間違っているため、正しい操作方法でもう一度やり直す。
TMP Over!!	<ul style="list-style-type: none"> 何か異常が発生したため、セット（MDユニット）内の温度が高くなりすぎた。 	<ul style="list-style-type: none"> トラブルシューティングによりチェックする。 高温の場所で使用していないか。

Error on display	Description	Countermeasure
Can't Edit	<ul style="list-style-type: none"> Editing conditions were not satisfied with respect to each editing function. 	<ul style="list-style-type: none"> Wrong operation procedure was used. Try again by using the correct procedure.
TMP Over!!	<ul style="list-style-type: none"> The temperature in the set (MD unit) went up excessively high due to occurrence of some abnormality. 	<ul style="list-style-type: none"> Check according to troubleshooting. Check the temperature of the area where the unit is used.
SDRD ERR RecP-SE ERR SRWR ERR	<ul style="list-style-type: none"> The data was not correct or it was not possible to read it correctly. Recording the music data failed as an abnormality occurred while recording it. 	<ul style="list-style-type: none"> Use another disc as there is an abnormality in TOC or UTOC data or the disc has a scratch or other faulty condition.
TOC ERR S TOC ERR R	<ul style="list-style-type: none"> The TOC data was not correct. It was not possible to read the TOC data. 	<ul style="list-style-type: none"> The TOC data recorded in the disc is not in compliance with the MD standard. Use another disc as the disc has a scratch or other faulty condition.
U TOC W ERR	<ul style="list-style-type: none"> It was not possible to rewrite UTOC correctly and an abnormality occurred while rewriting it. 	<ul style="list-style-type: none"> Use another disc as the disc has a scratch or other faulty condition.
FOCUS ERR	<ul style="list-style-type: none"> The disc was loaded but it was not possible to achieve FOCUS. 	<ul style="list-style-type: none"> Check that the disc is free from any scratch, dust, finger print, black spot, etc. and that decentering, face deflection, etc. are not excessive.
BLANK DISC	<ul style="list-style-type: none"> The total number of TNO and NAME characters was "0" as a result of reading UTOC. 	<ul style="list-style-type: none"> Check if the disc is recordable by actually recording.
TOC W ERROR	<ul style="list-style-type: none"> UTOC can be read but cannot be rewritten. 	<ul style="list-style-type: none"> Check if the recording head contacts properly and if wiring from the circuit board to the recording head is free from breakage.
EEPROM ERROR	<ul style="list-style-type: none"> The EEPROM data is not correct 	<ul style="list-style-type: none"> Try again after resetting and if still NG, replace EEPROM.

Mechanism Error

Error on display	Description
Er_MD2_*	The head fails to move up.
Er_MD3_*	The head fails to move down.

HINF (IC1401 No.93 pin)

* = E Eject completed position

< 1.0 V

* = M Horizontal midway position

> 3.01 V

* = L Load completed position

1.31 — 2.36 V

* = D Head down position

1.01 — 1.31 V

エラー表示	エラー内容	処理方法
SDRD ERR RecP-SE ERR SRWR ERR	<ul style="list-style-type: none"> データを読んだ結果データが正しくなかった。又は、正しく読めなかった。 音楽データの記録中に異常が発生し、記録が正しく行えなかった。 	<ul style="list-style-type: none"> TOCやUTOCのデータに異常がある又は、ディスクにキズ等があるので、他のディスクに入れ換えてみる。
TOC ERR S TOC ERR R	<ul style="list-style-type: none"> TOCを読んだ結果データが正しくなかった。 TOCを読もうとしたが読むことが出来なかった。 	<ul style="list-style-type: none"> DISCに記録されているTOC情報が、MD規格に合っていないので、他のディスクに変えてみる。 ディスクにキズ等があるので、他のディスクに変えてみる。
U TOC W ERR	<ul style="list-style-type: none"> UTOCの書き換え中に異常が発生し、UTOCの書き換えが正しく行えなかった。 	<ul style="list-style-type: none"> ディスクにキズ等があるので、他のディスクに入れ換えてみる。
FOCUS ERR	<ul style="list-style-type: none"> ディスクを入れたがFOCUSを引き込む事が出来なかった。 	<ul style="list-style-type: none"> ディスクにキズ・ほこり・指紋・ブラックスポット等がないか。偏芯・面振れ等の大きいディスクでないかチェックする。
BLANK DISC	<ul style="list-style-type: none"> UTOCを読んだ結果、総TNO及びNAMEの文字数が0であった。 	<ul style="list-style-type: none"> 録音可能なディスクなのか、録音してチェックしてみる。
TOC W ERROR	<ul style="list-style-type: none"> UTOCは読めるが、UTOCの書き換えができない。 	<ul style="list-style-type: none"> 録音ヘッドの当たりは正常か。基板から録音ヘッドまで断線していないかをチェックする。
EEPROM ERROR	<ul style="list-style-type: none"> EEPROMのデータが正しくない。 	<ul style="list-style-type: none"> 一度RESETしてやり直してみる。それでもダメならEEPROMを取り替える。

メカエラーの詳細説明

エラー表示	エラー内容
E r - MD 2	いつまでもHEAD UPしない
E r - MD 3	いつまでもHEAD DOWNしない

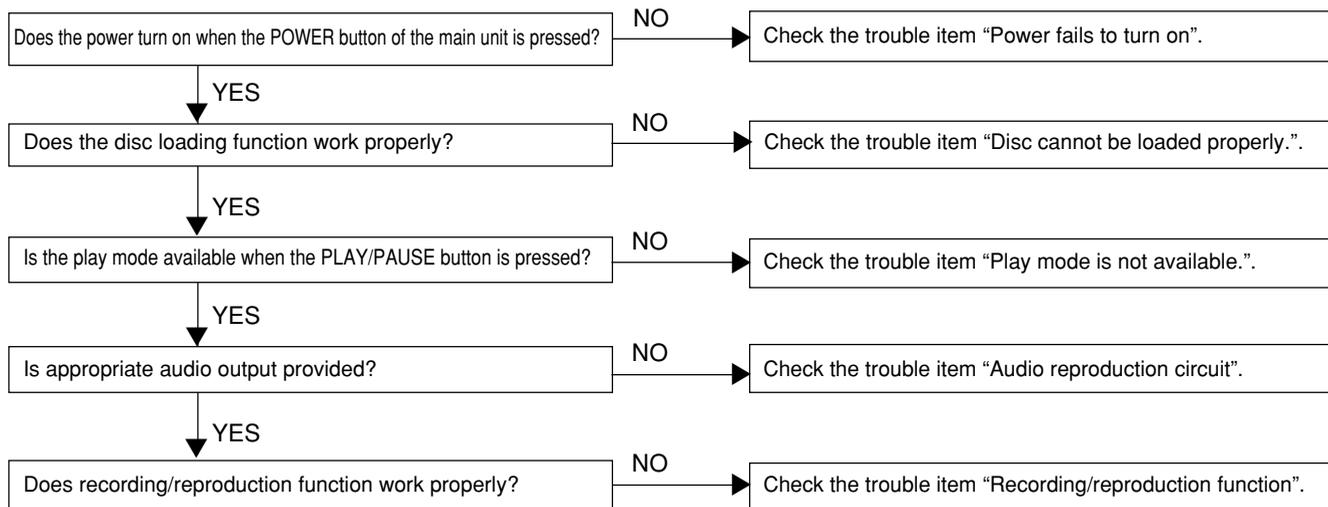
	HINF (IC1401 93 ピン)
= E EJECT完位置	< 1.0 V
= M 水平途中位置	> 3.01 V
= L LOAD完位置	1.31 ~ 2.36 V
= D HEAD DOWN位置	1.01 ~ 1.31 V

■ TROUBLESHOOTING

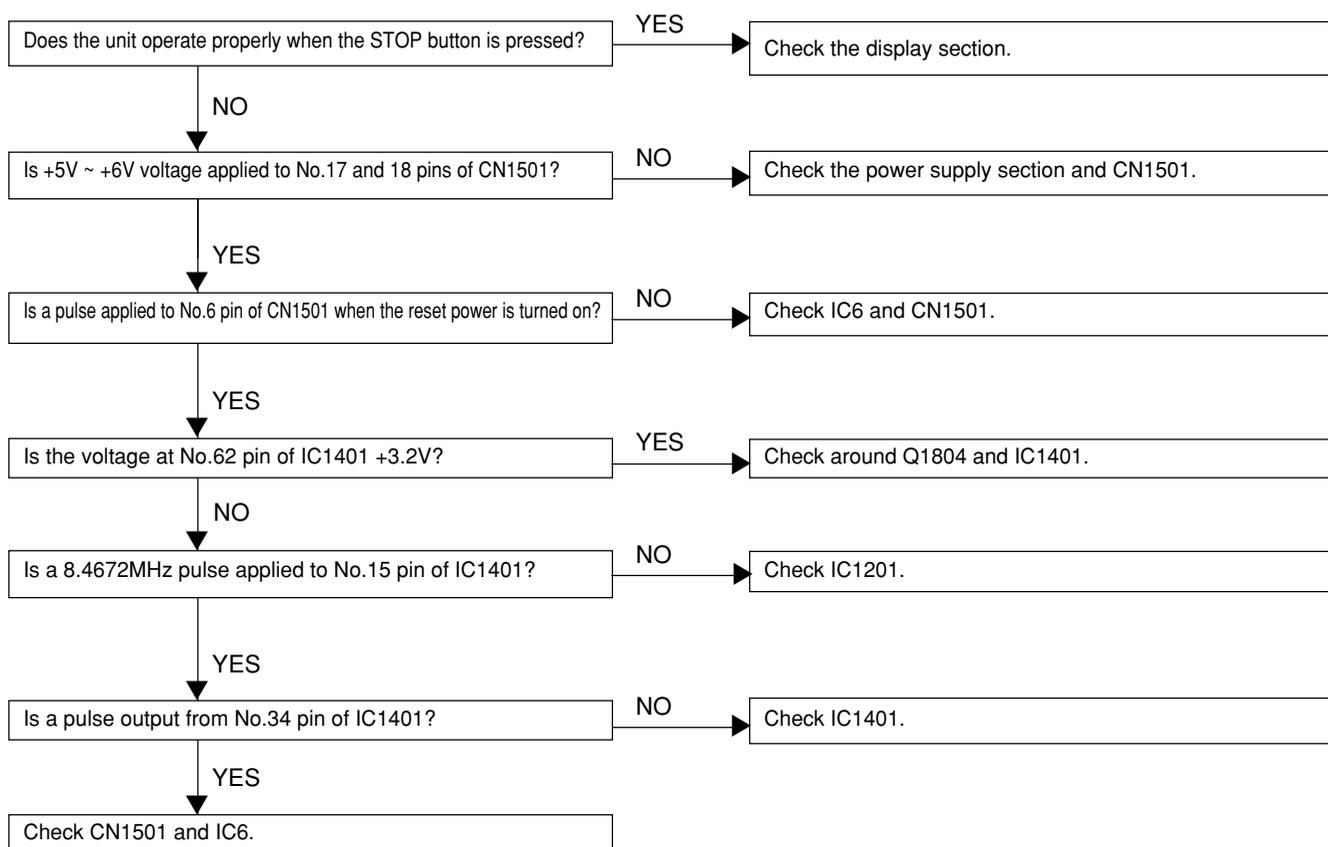
When MD fails to operate

When the objective lens of the optical pickup becomes dirty, MD may fail to operate. Clean the objective lens first and check MD for reproduction function. If it still fails to operate, check according to the following flow charts. Contaminant on the pickup lens such as dust or other foreign matter may cause the pickup to skip or the TOC (content of the selection) not to be displayed. Check if the lens is clean before making adjustments. If the lens is dirty, clean it as follows.

- Turn off the power. Dampen the lens cleaning paper with a small amount of isopropyl alcohol and wipe the lens with it, using care not to cause any damage to the lens. Be sure not to touch the lens with your hand directly.



Power fails to turn on.



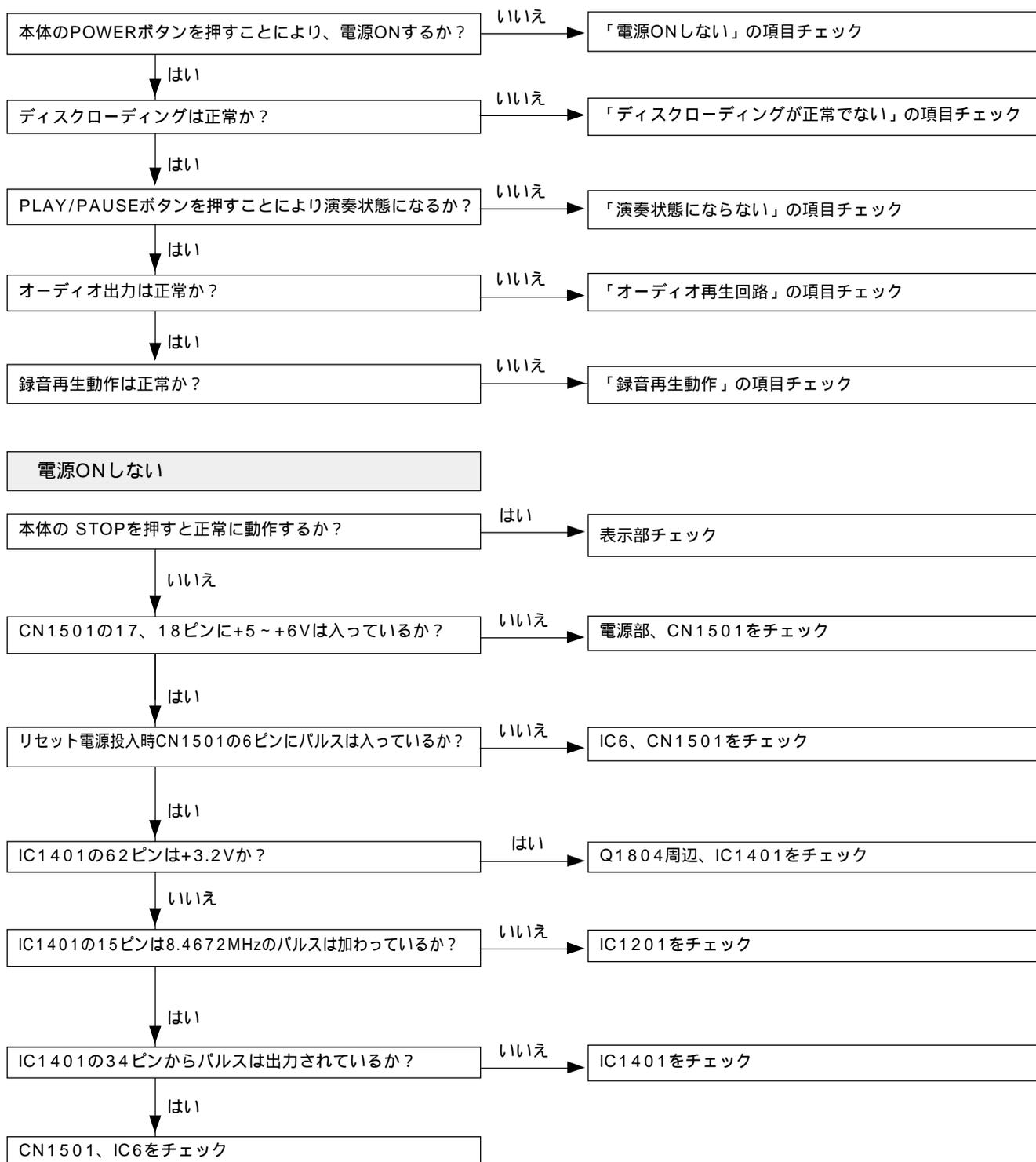
トラブルシューティング

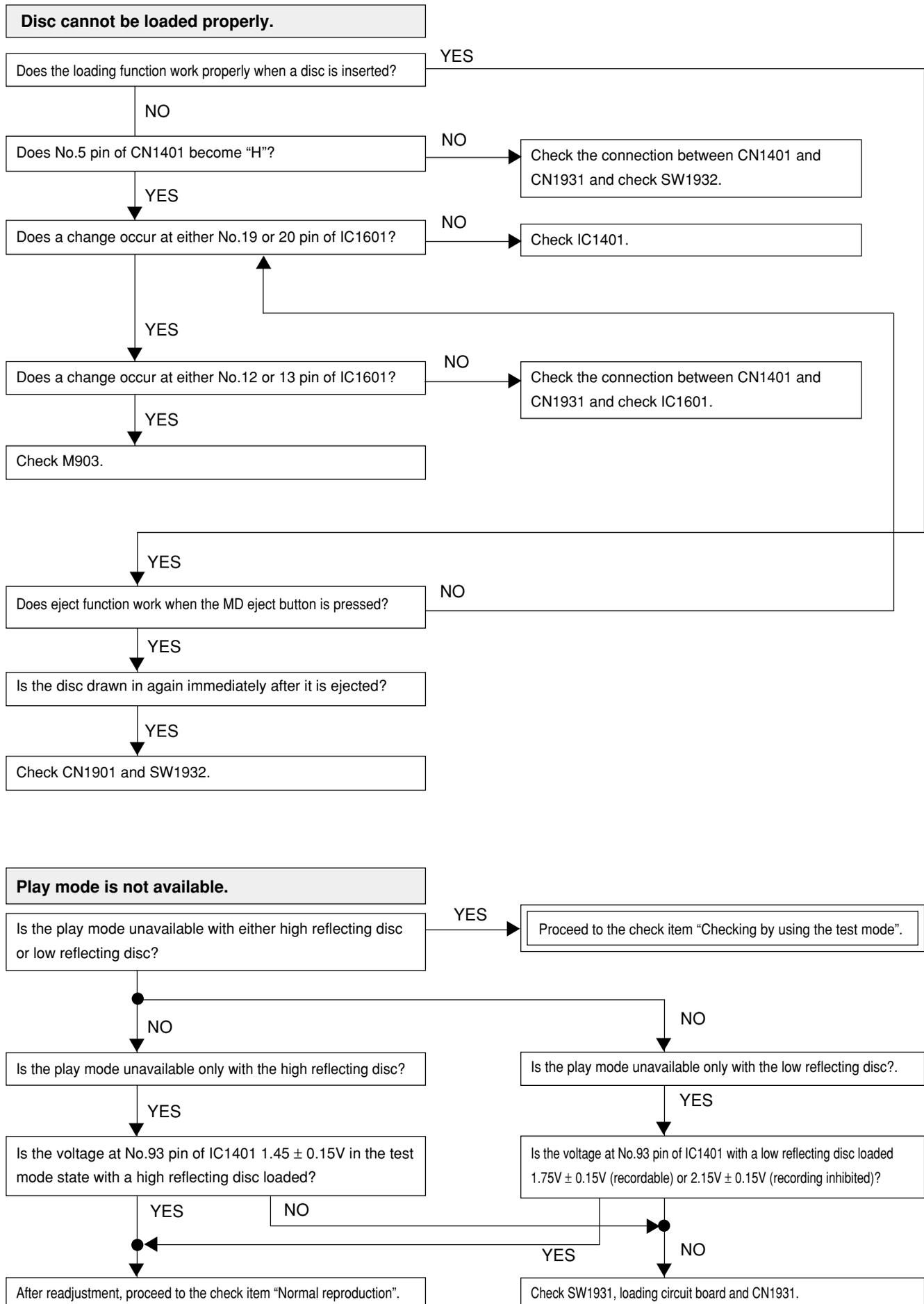
MDが動作しない場合

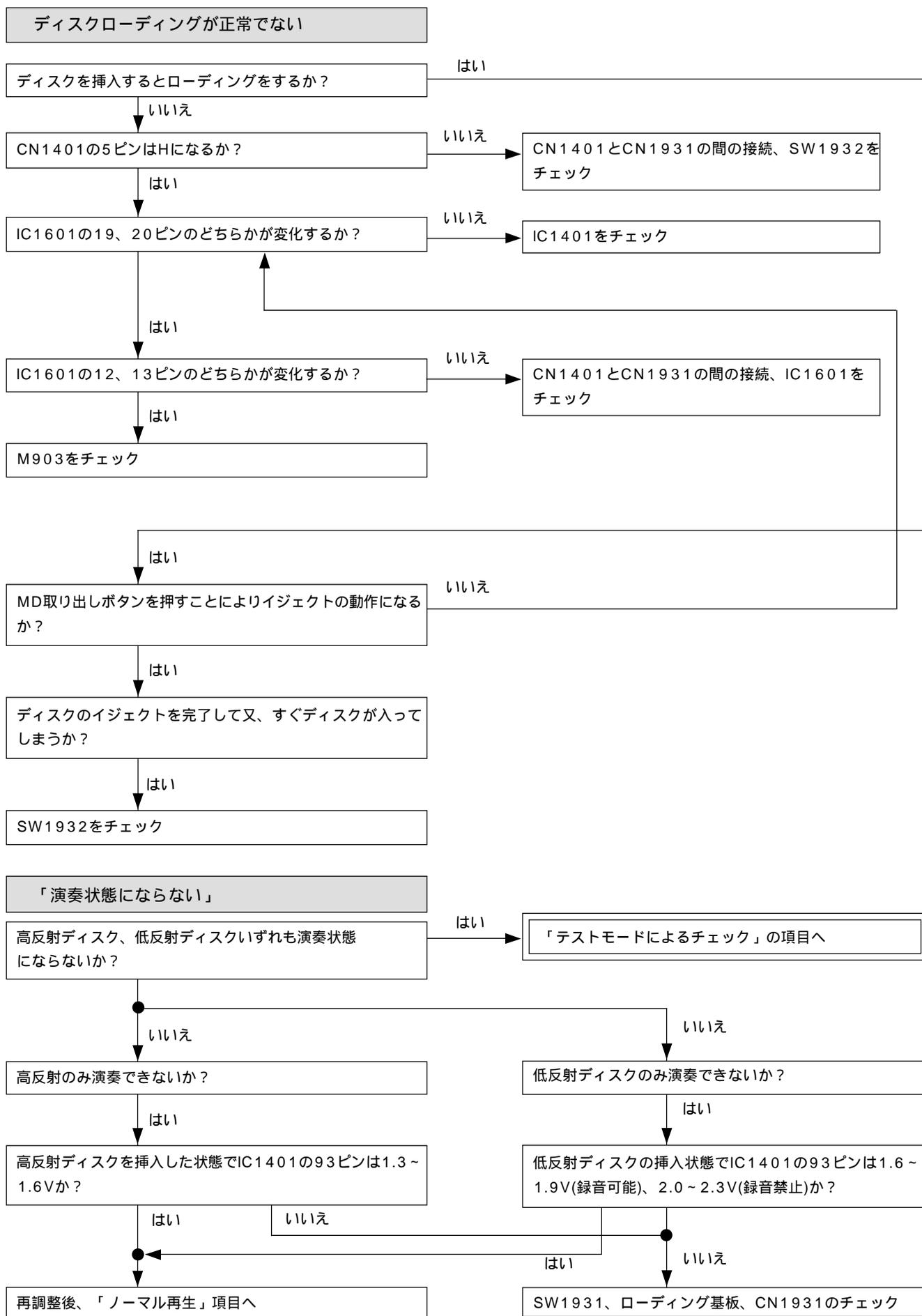
光ピックアップの対物レンズが汚れると動作しない場合がありますので、最初に対物レンズのクリーニングを行ない再生動作をチェックして下さい。以上を行なって動作しない場合、下記の項目に沿ってチェック下さい。

ピックアップレンズにほこりや異物がたまると、曲飛びを起こしたりTOC（曲目の内容）が表示されなかったりすることがあります。調整を行う前には、レンズがきれいかどうか確認してください。レンズが汚れているときは、下記のようにしてください。

電源を切りレンズクリーニングペーパーに少量のイソプロピルアルコールを湿らせてレンズを傷つけない様に拭いて下さい。この時、レンズを直接手で触れないようにして下さい。

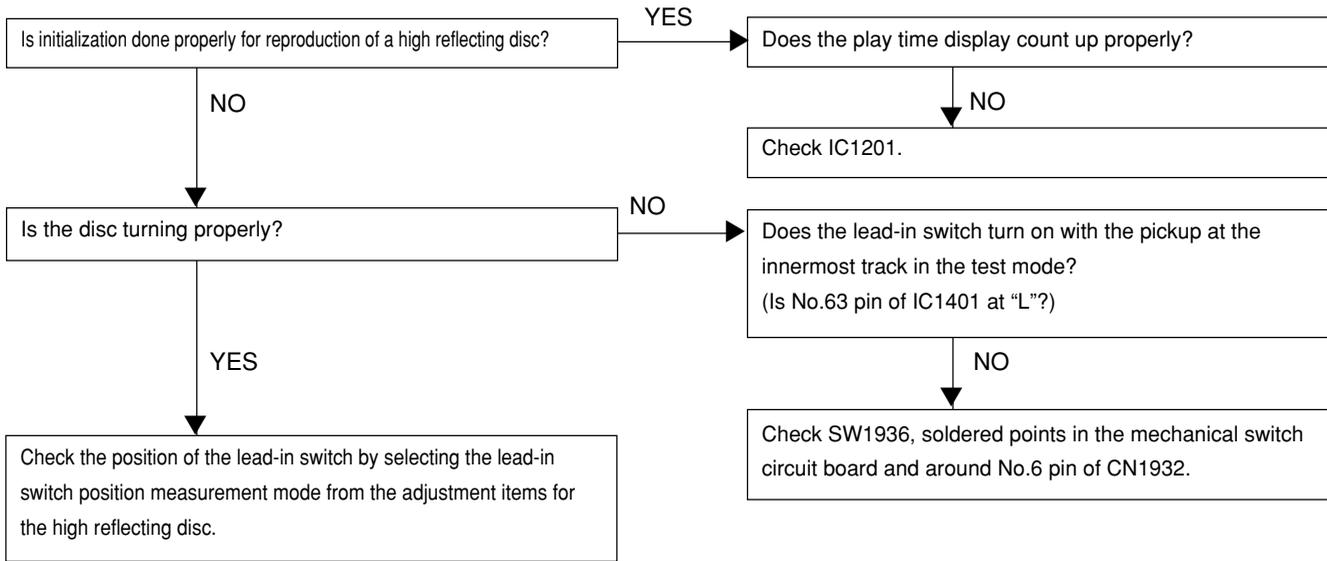






Normal reproduction

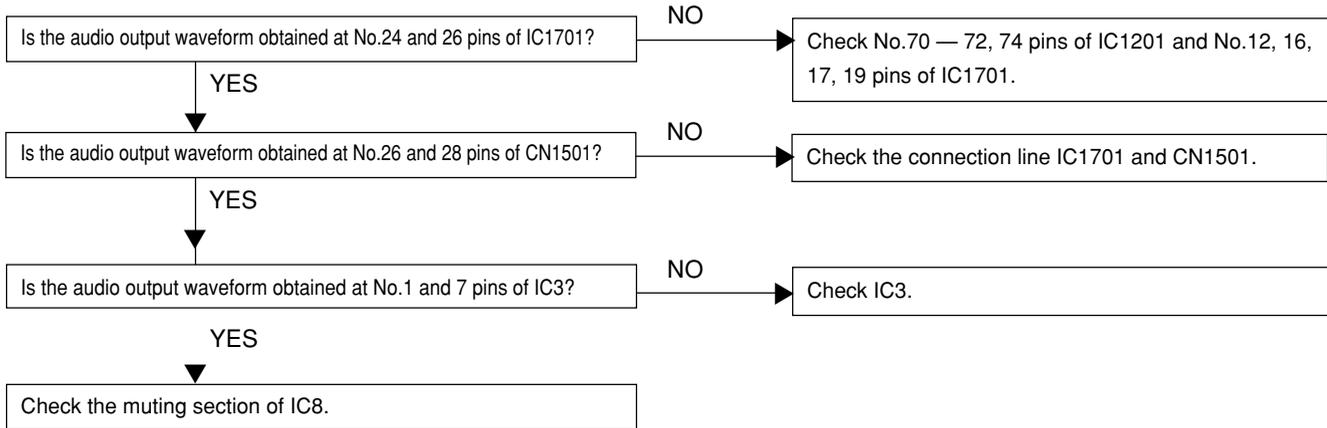
Applicable when the E2-PROM value has been confirmed as normal in the test mode



MDX-E300

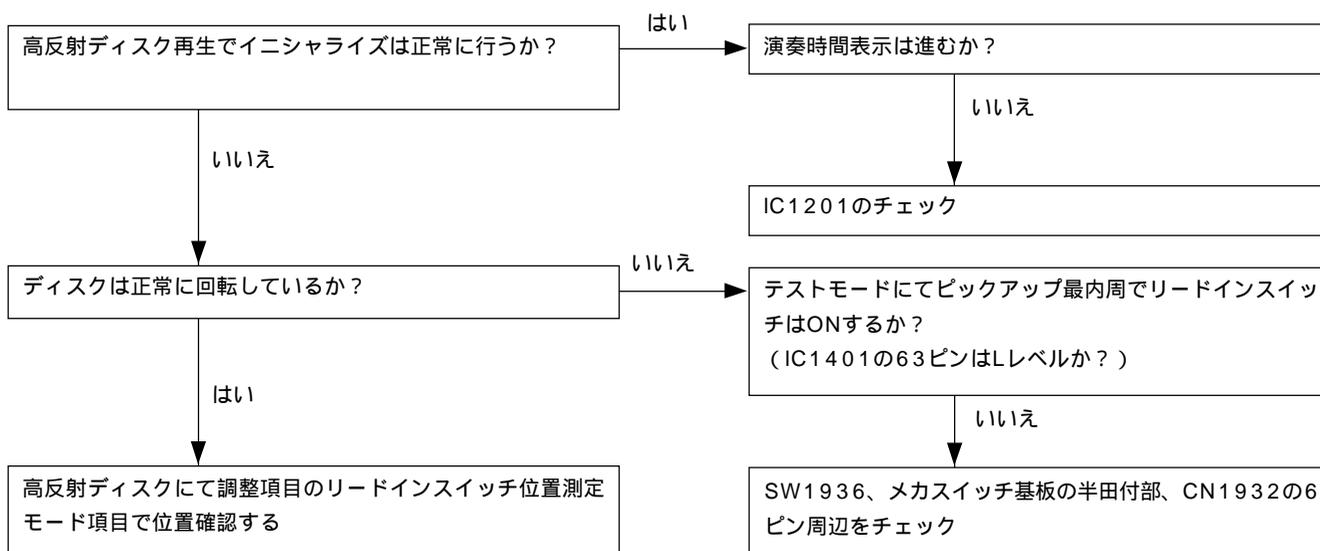
Audio reproduction circuit

Applicable when no sound is produced although the play time display counts up properly during reproduction in the normal mode



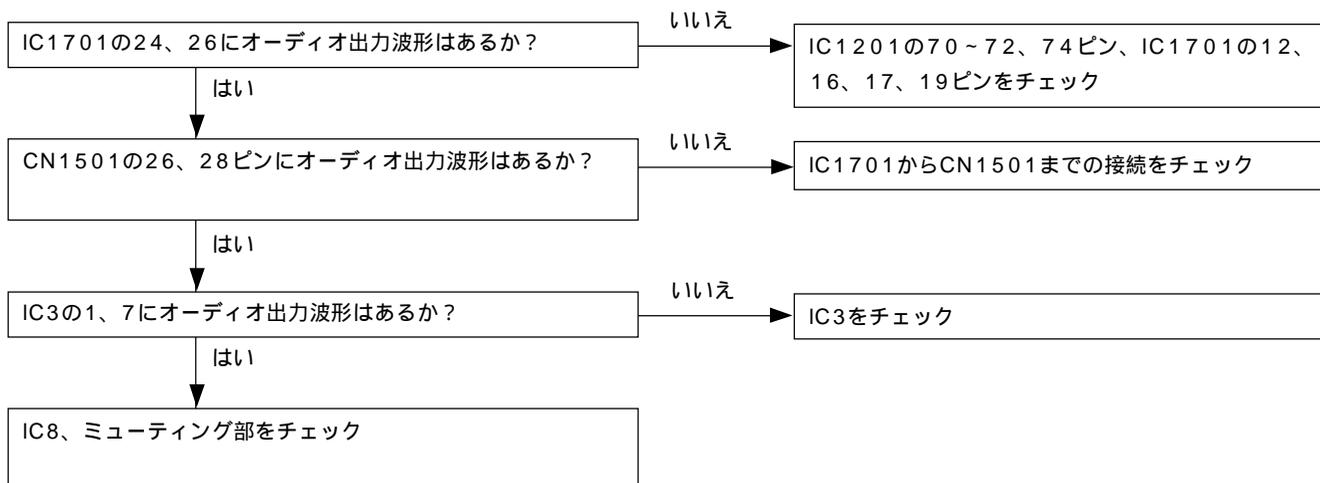
ノーマル再生

テストモードでEEPROMの値が正常であることが確認された場合



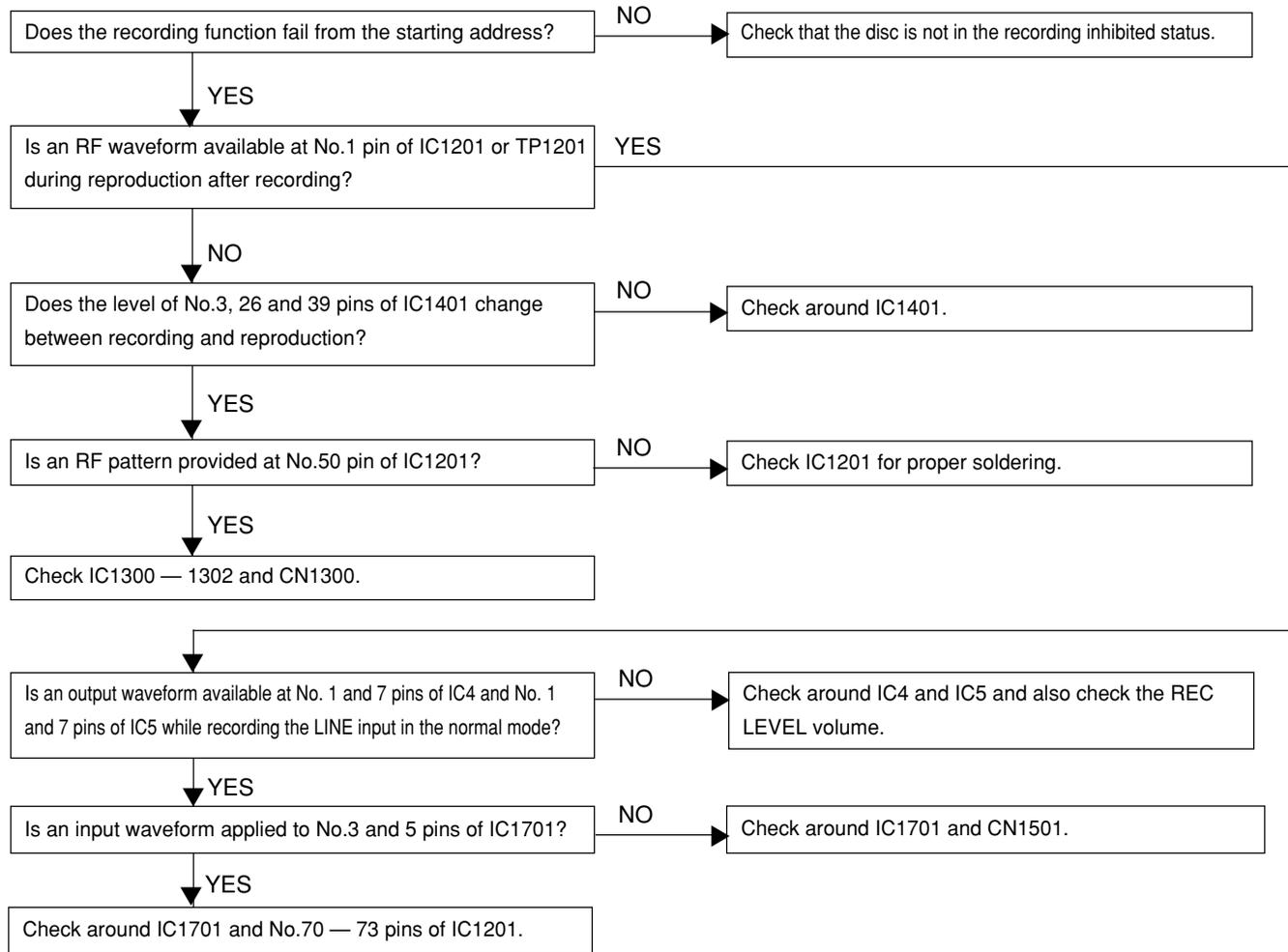
オーディオ再生回路

ノーマルモードで再生中、演奏時間表示は進むが音が出ない場合

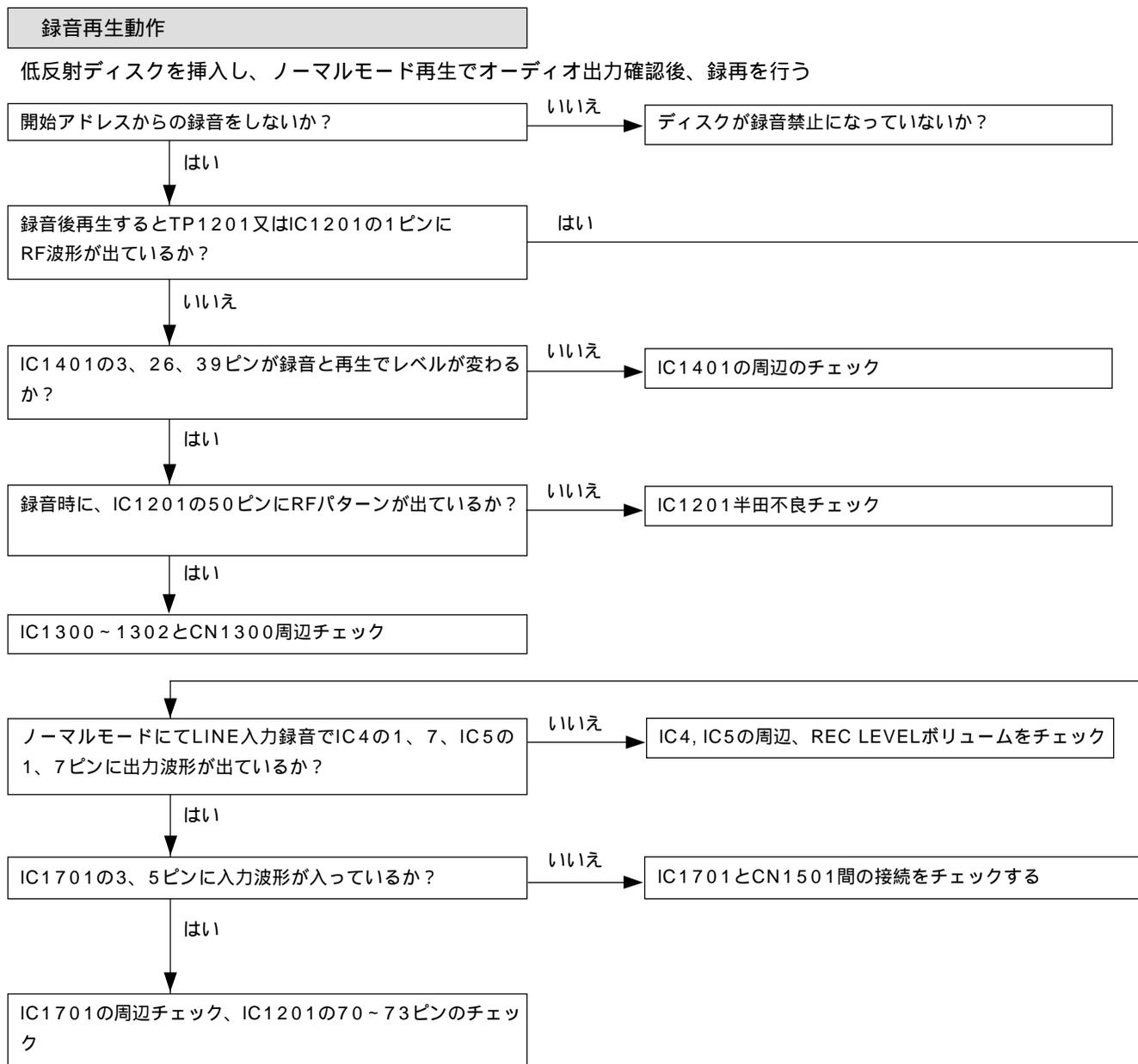


Recording/reproduction function

Load a low reflection disc and after confirming the audio output in the normal reproduction mode, execute recording/reproduction.



MDX-E300



Checking by using the test mode

Spindle motor does not run.

Is a correct waveform provided at No.24 and 25 pins of IC1201 during the AUTO adjustment mode step 3 in the test mode?

NO

Check No.24 and 25 pins of IC1201 as well as solder connections and parts of the peripheral circuit.

YES

Is a waveform provided at No.9 and 10 pins of IC1601 as well as at No.5 and 6 pins of CN1402?

NO

Check IC1601, CN1402 and the mechanism switch circuit board solder connections.

YES

Replace the spindle motor as a complete unit.

Sled motor does not run.

Does a change occur at No.22 and 23 pins of IC1201 when ►► and ◄◄ buttons are pressed?

NO

Check the waveform at No.22 and 23 pins of IC1201, peripheral parts and solder connections.

YES

Does a change occur at No.14 and 15 pins of IC1601 and No.3 and 4 pins of CN1402 when the ►► and ◄◄ buttons are pressed?

NO

Check IC1601 and CN1402 solder connections.

YES

Does a voltage change occur at the + and - terminals of the sled motor when the ►► and ◄◄ buttons are pressed?

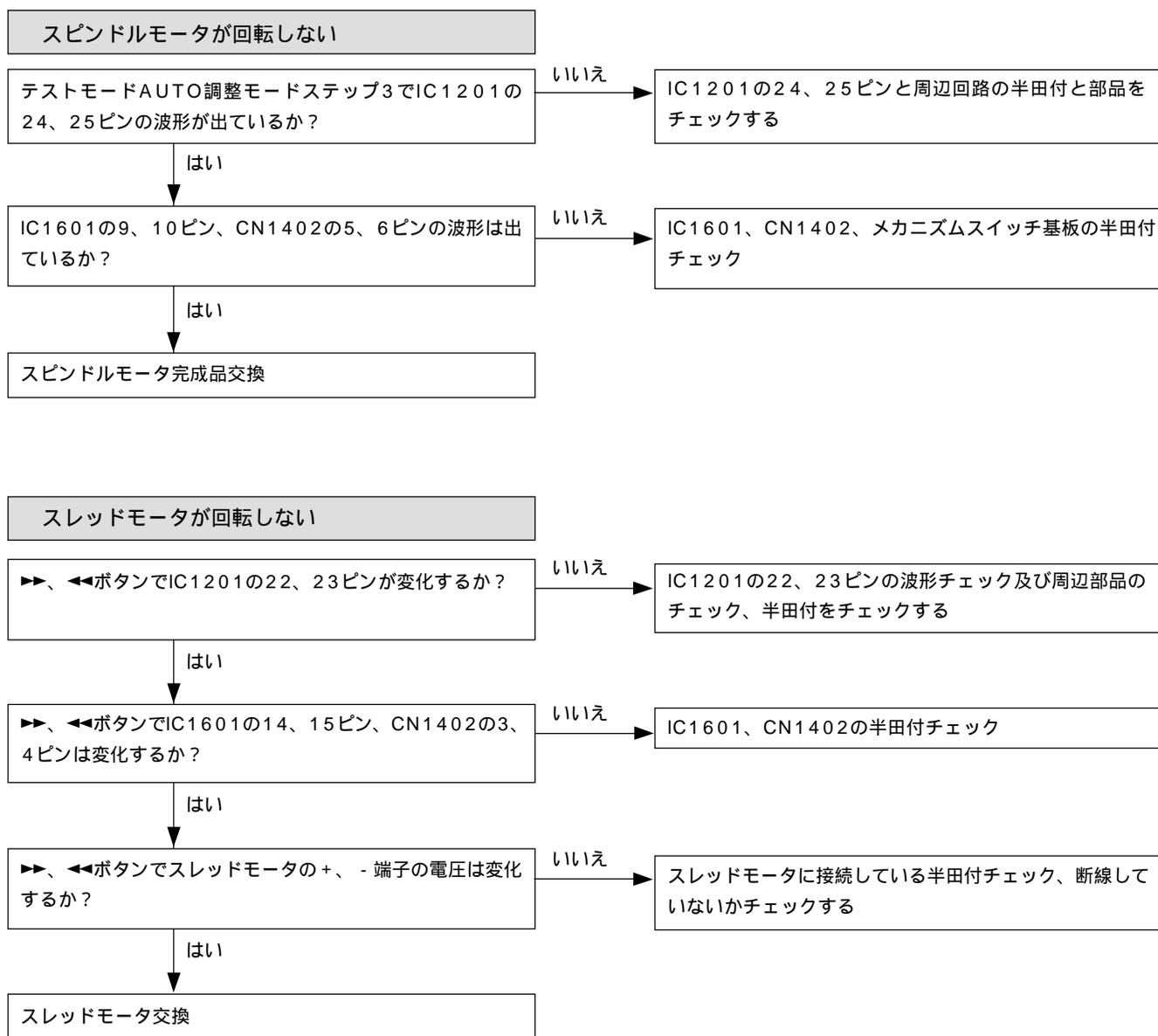
NO

Check the connection section to the sled motor for any poor solder connections or broken wires.

YES

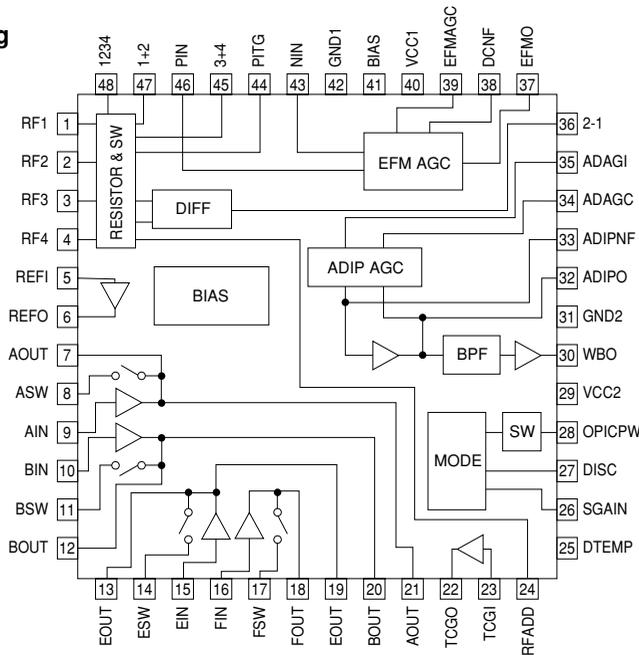
Replace the sled motor.

テストモードによるチェック



■ IC DATA

IC1101 : IR3R58M
RF Signal Processing



No.	Pin Name	Function
1	RF1	RF signal input terminal 1 to input RF signal output from pickup
2	RF2	RF signal input terminal 2 to input RF signal output from pickup
3	RF3	RF signal input terminal 3 to input RF signal output from pickup
4	RF4	RF signal input terminal 4 to input RF signal output from pickup
5	REFI	Amplifier input terminal for reference voltage
6	REFO	Amplifier output terminal for reference voltage
7	AOUT	Amplifier (focus servo system) output terminal 1 for servo signal
8	ASW	Amplifier (focus servo system) output terminal 2 for servo signal
9	AIN	Amplifier (focus servo system) reverse input terminal for servo signal
10	BIN	Amplifier (focus servo system) reverse input terminal for servo signal
11	BSW	Amplifier (focus servo system) output terminal 2 for servo signal
12	BOUT	Amplifier (focus servo system) output terminal 1 for servo signal
13	EOUT	Amplifier (tracking servo system) output terminal 1 for servo signal
14	ESW	Amplifier (tracking servo system) output terminal 2 for servo signal
15	EIN	Amplifier (tracking servo system) reverse input terminal for servo signal
16	FIN	Amplifier (tracking servo system) reverse input terminal for servo signal
17	FSW	Amplifier (tracking servo system) output terminal 2 for servo signal
18	FOUT	Amplifier (tracking servo system) output terminal 1 for servo signal
19	EOUT	Amplifier (tracking servo system) output terminal 1 for servo signal
20	BOUT	Amplifier (tracking servo system) output terminal 1 for servo signal
21	AOUT	Amplifier (tracking servo system) output terminal 1 for servo signal
22	TCGO	Amplifier output terminal for track cross detect signal when in groove section
23	TCGI	Amplifier input terminal for track cross detect signal when in groove section
24	RFADD	Output terminal for added resistance of RF1 ~ 4
25	DTEMP	Chip temperature detect terminal
26	SGAIN	Switch control terminal for servo amplifier
27	DISC	Pit/groove mode select control terminal
28*	OPICPW	Power supply output terminal for OPIC section
29	VCC2	Power supply terminal for digital/power section
30*	WBO	Comparator output terminal to make ADIP signal into binary value
31	GND2	Ground terminal for digital/power section
32	ADPO	Pre-amplifier output terminal for ADIP signal

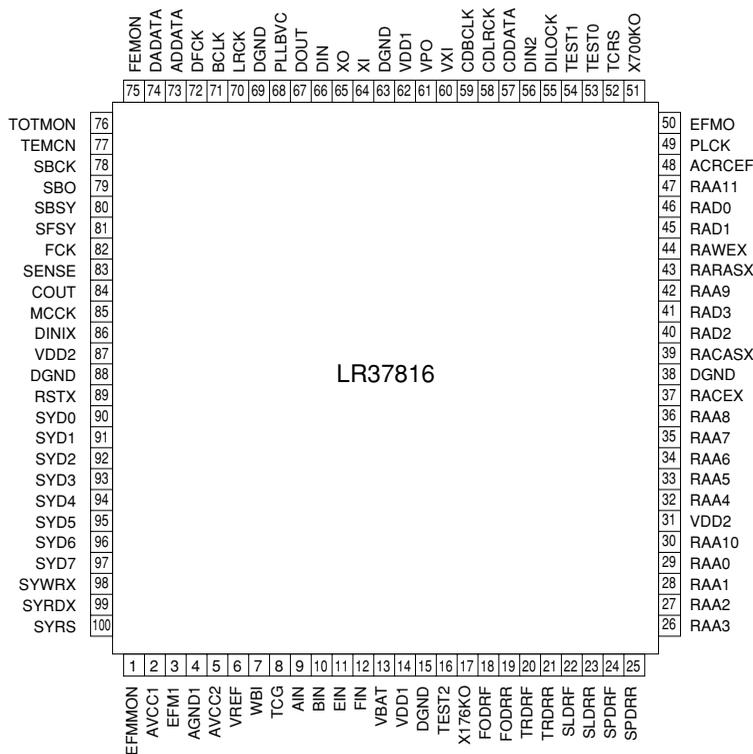
The * marked terminal is a terminal which is not connected externally (open terminal).

IC1101 : IR3R58M
RF Signal Processing

No.	Pin Name	Function
33*	ADIPNF	AGC amplifier output terminal for ADIP signal
34	ADAGC	AGC smooth capacitor connecting terminal for ADIP signal
35	ADAGI	AGC amplifier input terminal for ADIP signal
36	2-1	RF1, RF2 differential signal
37	EFMO	AGC amplifier output terminal for RF signal
38	DCNF	Reference voltage smooth capacitor connecting terminal for RF signal AGC amplifier
39	EFMAGO	AGC smooth capacitor connecting terminal for RF signal
40	VCC1	Power supply terminal for analog section
41	BIAS	Bias input terminal
42	GND1	Ground terminal for analog section
43	NIN	AGC amplifier reverse input terminal for RF signal
44	PITG	Ground terminal when in pit section
45	3+4	Output terminal for added resistance of RF3 and RF4 when in groove section
46	PIN	AGC amplifier reverse input terminal for RF signal
47	1+2	Output terminal for added resistance of RF1 and RF2 when in groove section
48	1234	Output terminal for added resistance of RF1 ~ 4 when in pit section

The * marked terminal is a terminal which is not connected externally (open terminal).

IC1201 : LR37816
ATrac Encoder/Decoder



No.	Pin Name	I/O	Function
1*	EFMMON	O	EFM monitor output
2	AVCC		Power supply terminal for analog section
3	EFMI	I	Input terminal for EFM signal from RF amplifier
4	AGND1		Ground terminal for analog section
5	AVCC2		Power supply terminal for analog section
6	VREF	I	Reference voltage input for RF amplifier
7	WBI	I	ADIP wobble signal
8	TCG	I	Tracking cross signal
9	AIN	I	Focus error signal A

The * marked terminal is a terminal which is not connected externally (open terminal).

IC1201 : LR37816

ATRAC Encoder/Decoder

No.	Pin Name	I/O	Function
10	BIN	I	Focus error signal B
11	EIN	I	Tracking error signal E
12	FIN	I	Tracking error signal F
13	VBAT	I	Power supply voltage detect signal for constant voltage servo
14	VDD1		Power supply terminal for digital section
15	DGND		Digital ground terminal
16	TEST2	I	Connected to GND in normal use
17*	X176KO	O	Clock output. f=176.4KHz (4fs)
18	FODRF	O	Focus servo forward output. PWM
19	FODRR	O	Focus servo reverse output. PWM
20	TRDRF	O	Tracking servo forward output. PWM
21	TRDRR	O	Tracking servo reverse output. PWM
22	SLDRF	O	Slide servo forward output. PWM
23	SLDRR	O	Slide servo reverse output. PWM
24	SPDRF	O	Spindle servo forward output or spindle serve output. PWM
25	SPDRR	O	Spindle servo reverse output or switching of spindle rotation forward/reverse
26	RAA3	O	Address output to external D-RAM. ADR3
27	RAA2	O	Address output to external D-RAM. ADR2
28	RAA1	O	Address output to external D-RAM. ADR1
29	RAA0	O	Address output to external D-RAM. ADR0 (LSB)
30*	RAA10	O	Address output to external D-RAM. ADR10 (MSB)
31	VDD2		Power supply terminal for DRAM interface
32	RAA4	O	Address output to external D-RAM. ADR4
33	RAA5	O	Address output to external D-RAM. ADR5
34	RAA6	O	Address output to external D-RAM. ADR6
35	RAA7	O	Address output to external D-RAM. ADR7
36	RAA8	O	Address output to external D-RAM. ADR8
37	RAOEX	O	Data output enable signal output to external D-RAM
38	DGND		Ground terminal for digital section
39	RACASX	O	Column address strobe signal output to external D-RAM
40	RAD2	I/O	Data input/output with external D-RAM. D2
41	RAD3	I/O	Data input/output with external D-RAM. D3 (MSB)
42	RAA9	O	Address output to external D-RAM. ADR9
43	RARASX	O	Low address strobe signal output to external D-RAM
44	RAWEX	O	Data write enable signal output to external D-RAM
45	RAD1	I/O	Data input/output with external D-RAM. D1
46	RAD0	I/O	Data input/output with external D-RAM. D0 (LSB)
47*	RAA11	O	ADR11 (MSB 64Mbit)
48*	ACRCER	O	CRC error flag monitor output of ADIP
49*	PLCK	O	EFM PLL clock output during reproduction
50	EFM0	O	EFM signal output during recording and C1F (C1 error flag) monitor output during reproduction
51*	X700KO	O	Clock output. f=705.6KHz. No clock output when RSTX=0.
52*	TCRS	O	Track cross signal
53,54	TEST0,TEST1	I	Test input terminal, connected to GND when in normal use
55	DILOCK	O	DIN lock detect
56	DIN2	I/O	Digital input signal. Expansion port 0
57	CDDATA	I/O	Data input for high speed dubbing. Microprocessor expansion output port 5 when switching.
58	CDLRCK	I/O	LR clock input for high speed dubbing. Microprocessor expansion output port 6 when switching.
59	CDBCLK	I/O	Bit clock input for high speed dubbing. Microprocessor expansion output port 7 when switching.
60	VXI	I	PLL clock input for variable pitch.
61*	VPO	O	PLL phase error output for variable pitch.
62	VDD1		Power supply terminal for digital section
63	DGND		Ground terminal for digital section
64	XI	I	Oscillation circuit input. 33.8688MHz

The * marked terminal is a terminal which is not connected externally (open terminal).

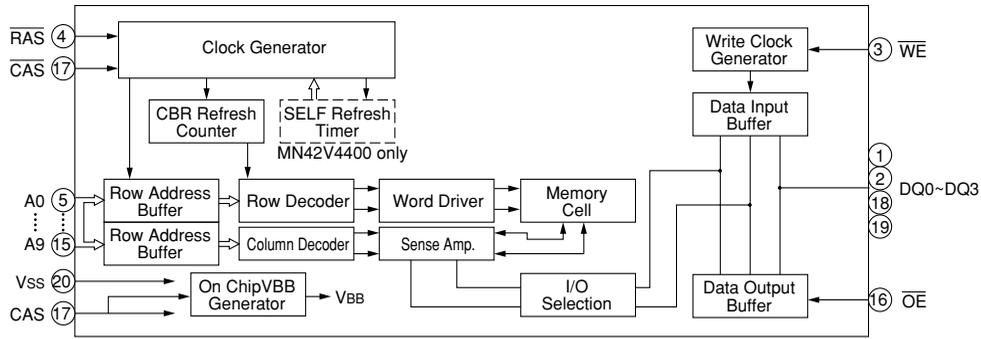
IC1201 : LR37816
ATRAC Encoder/Decoder

No.	Pin Name	I/O	Function
65	XO	O	Oscillation circuit output. 33.8688MHz
66	DIN	I	Digital input signal
67	DOUT	O	Digital output signal
68	PLLBVG	O	External capacitor terminal for internal PLL
69	DGND		Ground terminal for digital section
70	LRCK	O	Output terminal for switching music data to Lch, Rch
71	BCLK	O	Shift clock for music data
72	DFCK	O	Clock for AD/DA converter digital filter. 256Fs
73	ADDATA	I	Voice data input
74	DADATA	O	Voice data output
75*	FEMON	O	Focus error signal monitor output
76*	TOTMON	O	Total signal monitor output
77*	TEMON	O	Tracking error signal monitor output
78	SBCK	I/O	DIN sub-code reading clock. EIAJ CP-309 format
79	SBO	I/O	DIN sub-code serial data. EIAJ CP-309 format.
80	SBSY	I/O	DIN sub-code block synchronous signal. EIAJ CP-309 format.
81	SFSY	I/O	DIN sub-code frame synchronous signal. EIAJ CP-309 format.
82	FOK	O	Focus OK detect signal. "0": focus OK
83	SENSE	O	Servo state detect signal. "1": Auto move, auto jump, auto focus being drawn in
84	COUT	O	Track cross signal output
85	MCCK	O	Clock output for microprocessor. Clock output also when RSTX=0
86	DINTX	O	Output terminal used to request interrupt into system control interface.
87	VDD2		Power supply terminal for interface section
88	DGND		Ground terminal for digital section
89	RSTX	I	Chip reset input. Reset at "L" (Note)
90	SYD0	I/O	Data bus terminal of system control interface (LSB)
91—96	SYD1 — SYD6	I/O	Data bus terminal of system control interface.
97	SYD7	I/O	Data bus terminal of system control interface. (MSB)
98	SYWRX	I	Input terminal for register write pulse of system control interface
99	SYRDX	I	Input terminal for register read pulse of system control interface
100	SYRS	I	Input terminal for register selection of system control interface

The * marked terminal is a terminal which is not connected externally (open terminal).

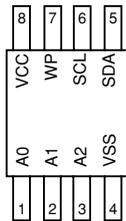
(Note) Set RSTX to "L" when or after turning on the power supply.

IC1202 : IX2474AF
4M Bit D-RAM



Pin No.	Name	Function
1, 2	DQ0, DQ1	Data input/data output
3	\overline{WE}	Write enable
4	\overline{RAS}	Low address strobe
5	A9	Address input
6 — 9	A0-A3	Address input
10	VDD	Power supply (3.3V)
11 — 15	A4-A8	Address input
16	\overline{OE}	Output enable
17	\overline{CAS}	Column address strobe
18, 19	DQ2, DQ3	Data input/data output
20	Vss	Power supply (0V)

IC1402 : 58X2402T
EEPROM



Pin No.	Name	Function
1 — 3	A0 — A2	Device address
4	VSS	Ground
5	SDA	Serial data input/output
6	SCL	Serial clock input
7	WP	Write protect
8	VCC	Power supply

IC1401 : iX0410AW

MD System Microprocessor

No.	Pin Name	I/O	Function
1	4M/16M	O	4M/16M DRAM select input
2	64M	O	64M DRAM select input
3	LDVAR	O	LDVAR (Laser power adjustment output)
4*	ADJS	O	ADJS (for automatic adjustment step check)
5	CIN	I	CIN (Track count signal input)
6*	NC		Unused
7	UNLOCK	I	ERR input (to unlock monitor PLL)
8	BYTE	I	GND
9	CNVss	I	GND
10*	STID OUT	O	ST-ID output
11*	SEACH OUT	O	MD search output
12	RESET	I	RESET input
13*	NC		Clock output
14	Vss		GND
15	MCKK	I	EXTAL (8.4672MHz)
16	Vcc		+3.15V
17	P85	I	Input/output port P85
18	DINT	I	DINT (interrupt input from MD-LSI)
19	SFSY	I	Interrupt input
20	ST-ID	I	ST-ID input (MD-ON)
21	SERCH	I	CD search input (Synchro REC interrupt input)
22	MDRSW	O	MD RSW output
23*	CDB SEL	O	CD BLK SEL output
24	DSNSE	I	DSNSE (Servo sense input from MD-LSI)
25	P-DOWN	I	P-DOWN (power failure detect)
26	HD ON	O	HDON (Magnetic head current ON/OFF output)
27	EEPROM	O	EEPROM protect cancel output
28	HFON	O	HFON
29	EEPCK	O	EEPROM serial clock output
30	EEPD	I/O	EEPROM data input/output
31	MD DATA	O	MD data output
32	K DATA	I	System computer data input
33	DSCK	I	System computer communication clock input
34	DSTB	O	DSTB (system computer communication enabled and during communication)
35*	NC	O	Unused
36	SBO	I	Sub-code serial data input
37	SBCK	O	Sub-code communication serial clock output
38	DISC	O	DISC
39	R/P	O	R/P output (REC/PLAY select)
40	FOK	I	FOK (focus servo state monitor input)
41	FLASH L	I	Flash write select
42	SGAIN	O	SGAIN
43	SYRS	O	MD LSI register select signal output
44	SYRD	O	SYRD (MD-LSI read signal output)
45	SYWR	O	SYWR (MD-LSI write signal output)
46	FLASH H	I	Flash write select
47	SYS D7	I/O	SYS D7 (data bus 7)
48	SYS D6	I/O	SYS D6 (data bus 6)
49	SYS D5	I/O	SYS D5 (data bus 5)
50	SYS D4	I/O	SYS D4 (data bus 4)
51	SYS D3	I/O	SYS D3 (data bus 3)
52	SYS D2	I/O	SYS D2 (data bus 2)
53	SYS D1	I/O	SYS D1 (data bus 1)
54	SYS D0	I/O	SYS D0 (Data bus 0)

The * marked terminal is a terminal which is not connected externally (open terminal).

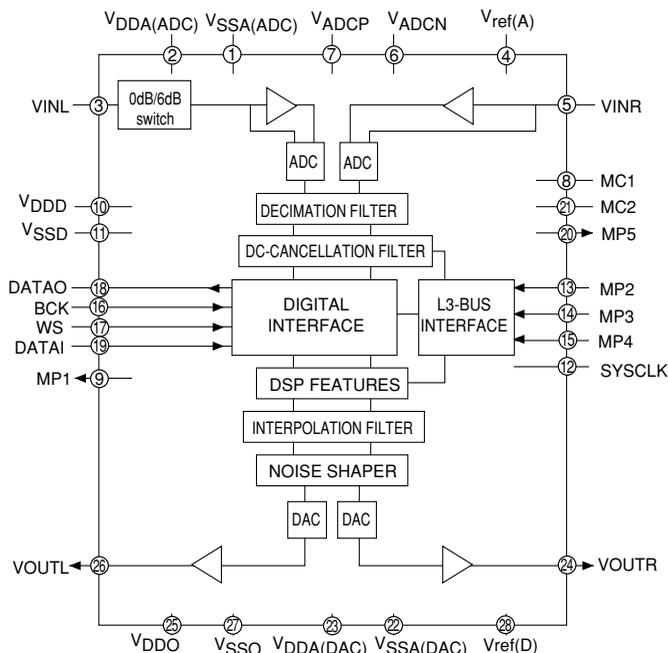
IC1401 : iX0410AW

MD System Microprocessor

No.	Pin Name	I/O	Function
55*	P37	O	Input/output port P37
56*	P36	O	Input/output port P36
57*	P35	O	Input/output port P35
58*	P34	O	Input/output port P34
59*	P33	O	Input/output port P33
60*	P32	O	Input/output port P32
61	P31	O	Input/output port P31
62	Vcc	I	+3.15V
63	INNSW	I	Pick innermost track detect input
64	GND		GND
65	L3 DATA	O	L3 DATA (soft serial communication, with 2 modes, LSB first)
66	L3 MODE	O	L3 MODE (soft serial communication, with 2 modes, LSB first)
67	L3 CLK	O	L3 CLK (soft serial communication, with 2 modes, LSB first)
68*	P24	O	Input/output port P24
69*	P23	O	Input/output port P23
70	PCNT0	O	PCNT0 output
71*	LAST	O	LAST
72	LD ON	O	LDON output (H: ON)
73	A/B	O	ANLPTR output
74	SBSY	O	ADPON output (for CK)
75*	DAP ON	O	DAPON output (for CK)
76*	DFS0	O	DFS0 output
77*	DFS1	O	DFS1 output
78	P12	O	Input/output port P12
79	P11	O	Input/output port P11
80	XRST	O	XRST (system reset output)
81*	AD MUTE	O	ADMUTE output (for CK)
82	LD+	O	Loading motor + side control output
83	LD-	O	Loading motor - side control output
84*	MUTE	O	MUTE output
85*	RAST	O	RAST
86*	TEST2	I	TEST 2 (special mode select 2)
87*	TEST1	I	TEST 1 (special mode select 1)
88*	TEST0	I	TEST 0 (special mode select 0)
89	AVCK3	I	AVCK3 (motor driver power supply monitor input)
90	AVCK2	I	AVCK2 (AD/DA block 3.1V monitor input)
91	AVCK1	I	AVCK1 (head circuit power supply monitor input)
92	DTEMP	I	DTEMP (temperature detect input)
93	MINF	I	MINF (by disc type / REC input)
94*	TEST K1	I	TEST K1 (test key input 1)
95*	TEST K2	I	TEST K2 (test key input 2)
96	GND		GND
97*	NC		Unused
98	VREF		+3.15V
99	AVcc		+3.15V
100	PR	I	Playback/recording reset input

The * marked terminal is a terminal which is not connected externally (open terminal).

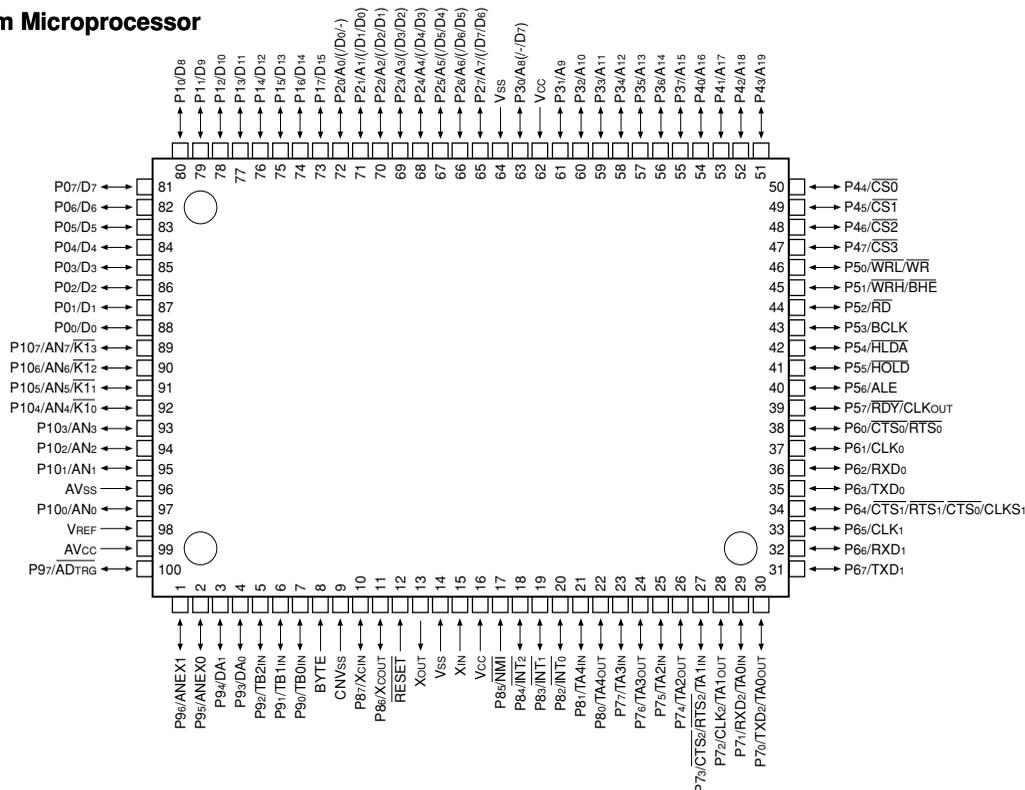
IC1701 : UDA1345T
AD Converter/DA Converter



Pin No.	Name	Function
1	VSSA(ADC)	ADC analog ground
2	VDDA(ADC)	ADC analog power supply
3	VINL	ADC input (left)
4	Vref(A)	ADC reference voltage
5	VINR	ADC input (right)
6	VADCN	ADC reference voltage N
7	VADCP	ADC reference voltage P
8*	MC1	Mode control 1 (pull-down)
9*	MP1	Multi-purpose pin 1
10	VDDD	Digital power supply
11	VSSD	Digital ground
12	SYSCLK	System clock 256, 384, 512fs
13	MP2	Multi-purpose pin 2
14	MP3	Multi-purpose pin 3
15	MP4	Multi-purpose pin 4
16	BCK	Bit clock input
17	WS	Word select input
18	DATAO	Data output
19	DATAI	Data input
20*	MP5	Multi-purpose pin 5 (pull-down)
21*	MC2	Mode control 2 (pull-down)
22	VSSA(DAC)	DAC analog ground
23	VDDA(ADC)	DAC analog power supply
24	VOUTR	DAC output (right)
25	VDDO	Operation amplifier power supply
26	VOUTL	DAC output (left)
27	VSSO	Operation amplifier ground
28	Vref(D)	DAC reference voltage

The * marked terminal is a terminal which is not connected externally (open terminal).

IC6 : M30622M8-xxxFP
Main System Microprocessor



No.	Port	I/O	Name	Function
1	P96/ANEX1	I/O		Unused (Pull-down at 10 kΩ)
2	P95/ANEX0	I/O		Unused (Pull-down at 10 kΩ)
3	P94/DA1	I/O		Unused (Pull-down at 10 kΩ)
4	P93/DA0	I/O		Unused (Open)
5	P92/TB2in	O	SEL	Digital input switching
6	P91/TB1in	O	/MUTE	LINE MUTE
7	P90/TB0in			Unused (Pull-down at 10 kΩ)
8	BYTE	I	GND	
9	CNVss	I	GND	(Pull-down at 4.7 kΩ)
10	P87/Xcin	I/O		Unused (Pull-down at 10 kΩ)
11	P86/Xcout	I/O		Unused (Pull-down at 10 kΩ)
12	/RESET	I	/RESET	Reset input
13	Xout	O	XOUT	Ceramic clock 10MHz
14	Vss	I	GND	GND level input
15	Xin	I	XIN	Ceramic clock 10MHz
16	Vcc	I	VCC	Microprocessor power supply input
17	P85//NMI	I	PU	PU to Vcc
18	P84//INT2	I	DSTB	MD strobe input
19	P83//INT1	I	/PDN	Power failure detect (Power down)
20	P82//INT0	I	REM	Remote controller input
21	P81//TA4in	I	SYSIN	System control in
22	P80//TA4out	O	SYSOUT	System control out
23	P77//TA3in	I/O		Unused (Pull-down at 10 kΩ)
24	P76//TA3out	I/O		Unused (Pull-down at 10 kΩ)
25	P75//TA2in	I/O		Unused (Pull-down at 10 kΩ)
26	P74//TA2out	I/O		Unused (Pull-down at 10 kΩ)
27	P73//TA1in	I/O		Unused (Pull-down at 10 kΩ)
28	P72//TA1out	O	SCL	Clock to EEPROM
29	P71//TA0in	I	SDI	Data input for EEPROM
30	P70//TA0out	O	SDO	Data to EEPROM
31	P67//TxD1	O	FLDAT	Data to FL driver
32	P66//RxD1	O	/FLCE	CE FL driver
33	P65//CLK1	O	FLCLK	Clock FL data
34	P64//CTS	O	/FLRES	Reset FL driver
35	P63//TxD0	O	KDATA	MD key data
36	P62//RxD0	I	MDDATA	MD data input
37	P61//CLK0	O	DSCK	MD clock output
38	P60//CTS0//RTS0	O	MD-ST	MD start (MD-ON)
39	P57//RDY//CLKout	O	/MD-RESET	MD reset output

IC6 : M30622M8-xxxFP

Main System Microprocessor

No.	Port	I/O	Name	Function
40	P56/ALE	I/O		Unused (Pull-down at 10 kΩ)
41	P55//HOLD	I	/EPM	GND
42	P54//HLDA	O	POWERDOWN	Used at MD unit power failure
43	P53/BCLK	I/O		Unused (Pull-down at 10 kΩ)
44	P52//RD	I/O		Unused (Pull-down at 10 kΩ)
45	P51//WRH,/BHE	I/O		Unused (Pull-down at 10 kΩ)
46	P50//WRL,/WR	I	/CE	PU at 10kΩ
47	P47//CS3	I/O	CG/CSG	Unused (pull up)
48	P46//CS2	I/O		Unused (pull up)
49	P45//CS1	I	VER	Destination input
50	P44//CS0	I	LOADIN	L-H: DISC IN
51	P43/A19	I/O		Unused (Pull-down at 10 kΩ)
52	P42/A18	I/O		Unused (Pull-down at 10 kΩ)
53	P41/A17	I/O		Unused (Pull-down at 10 kΩ)
54	P40/A16	I/O		Unused (Pull-down at 10 kΩ)
55	P37/A15	I/O		Unused (Pull-down at 10 kΩ)
56	P36/A14	I/O		Unused (Pull-down at 10 kΩ)
57	P35/A13	I/O		Unused (Pull-down at 10 kΩ)
58	P34/A12	I/O		Unused (Pull-down at 10 kΩ)
59	P33/A11	I/O		Unused (Pull-down at 10 kΩ)
60	P32/A10	I/O		Unused ((Pull-down at 10 kΩ)
61	P31/A9	I/O		Unused (Pull-down at 10 kΩ)
62	Vcc	I	VCC	Microprocessor power supply input
63	P30/A8	I/O		Unused (Pull-down at 10 kΩ)
64	Vss	I	GND	GND level input
65	P27/A7	I/O		Unused (Pull-down at 10 kΩ)
66	P26/A6	I/O		Unused (Pull-down at 10 kΩ)
67	P25/A5	I/O		Unused (Pull-down at 10 kΩ)
68	P24/A4	I/O		Unused (Pull-down at 10 kΩ)
69	P23/A3	I/O		Unused (Pull-down at 10 kΩ)
70	P22/A2	I/O		Unused (Pull-down at 10 kΩ)
71	P21/A1	I/O		Unused (Pull-down at 10 kΩ)
72	P20/A0	I/O		Unused (Pull-down at 10 kΩ)
73	P17/D15	I/O		Unused (Pull-down at 10 kΩ)
74	P16/D14	I/O		Unused (Pull-down at 10 kΩ)
75	P15/D13	I/O		Unused (Pull-down at 10 kΩ)
76	P14/D12	I/O		Unused (Pull-down at 10 kΩ)
77	P13/D11	I/O		Unused (Pull-down at 10 kΩ)
78	P12/D10	I/O		Unused (Pull-down at 10 kΩ)
79	P11/D9	I/O		Unused (Pull-down at 10 kΩ)
80	P10/D8	I/O		Unused ((Pull-down at 10 kΩ)
81	P07/D7	I/O		Unused (Pull-down at 10 kΩ)
82	P06/D6	I/O		Unused (Pull-down at 10 kΩ)
83	P05/D5	I/O		Unused (Pull-down at 10 kΩ)
84	P04/D4	I	TREC	Unused (Pull-down at 10 kΩ)
85	P03/D3	I	TPLY	Unused (Pull-down at 10 kΩ)
86	P02/D2	I/O		Unused (Pull-down at 10 kΩ)
87	P01/D1	I	JOG2	JOG input 2
88	P00/D0	I	JOG1	JOG input 1
89	P107/AN7	I/O		Unused (Pull-down at 10 kΩ)
90	P106/AN6	I/O		Unused (Pull-down at 10 kΩ)
91	P105/AN5	I/O		Unused (Pull-down at 10 kΩ)
92	P104/AN4	I/O		Unused (Pull-down at 10 kΩ)
93	P103/AN3	I/O		Unused (Pull-down at 10 kΩ)
94	P102/AN2	I	KEY3	KEY input 3
95	P101/AN1	I	KEY2	KEY input 2
96	AVss	I	DGND	GND level input for AD
97	P100/AN0	I	KEY1	KEY input 1
98	Vref	I	VREF	Reference voltage input for AD
99	AVcc	I	ADVCC	Power supply terminal for AD
100	P97//ADTRG	I/O		Unused (Pull-down at 10 kΩ)

● KEY INPUT (A-D) PULL UP RESISTOR 10kΩ

Standard value(V)	Permission value(V)	KEY 1 (97pin)	KEY 2 (95pin)	KEY 3 (94pin)
0.00	0.00—0.37	NO KEY	□	STANDBY/ON
1.25	1.00—1.51	INPUT	NO KEY	NO KEY
1.76	1.51—2.02	REC/PAUSE	NO KEY	NO KEY
2.25	2.02—2.49	NO KEY	NO KEY	NO KEY
2.75	2.49—3.00	▷ / ▢	NO KEY	NO KEY
3.26	3.00—3.53	NO KEY	△	NO KEY
5.00	4.02—5.00	KEY OFF	KEY OFF	KEY OFF

■ BLOCK DIAGRAM

See page 64

1

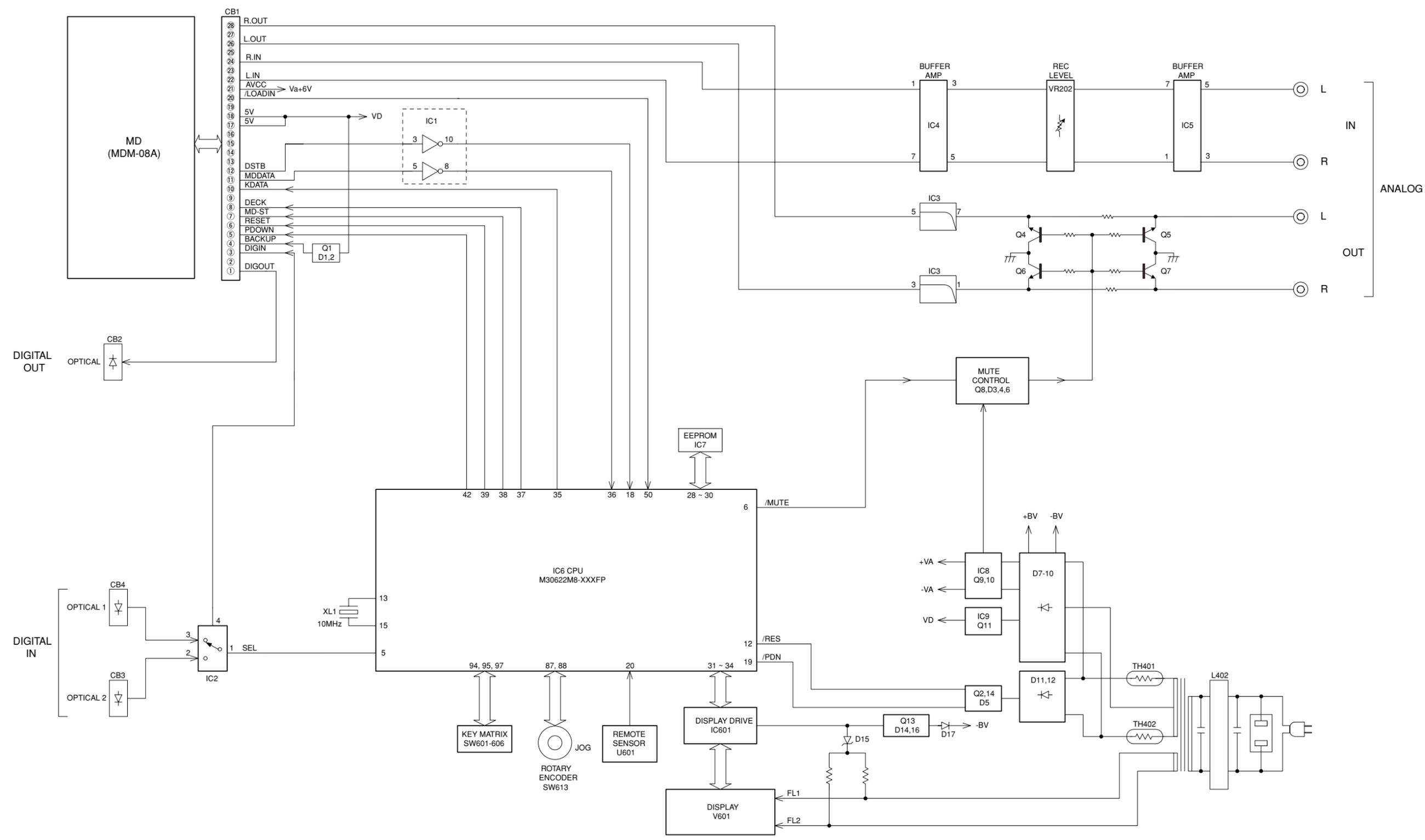
2

3

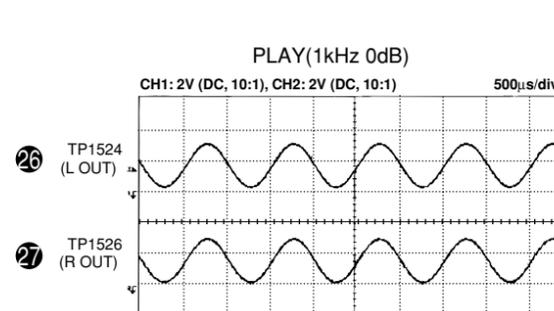
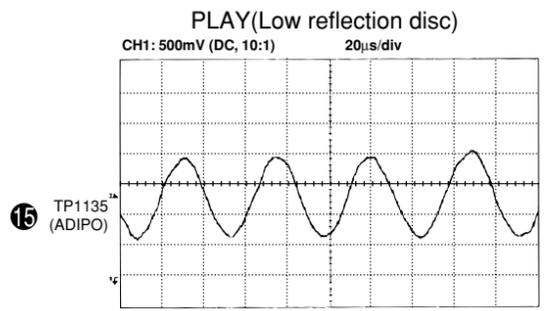
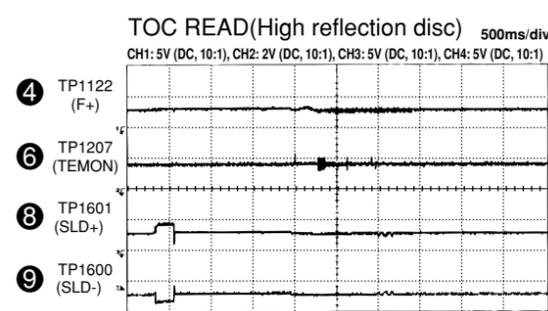
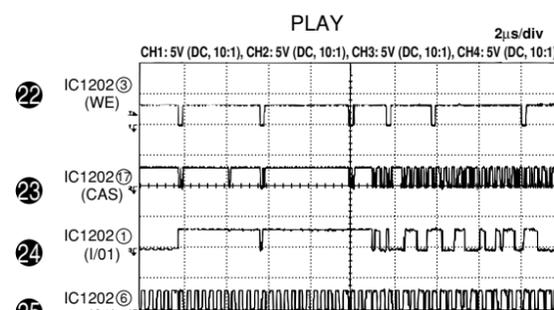
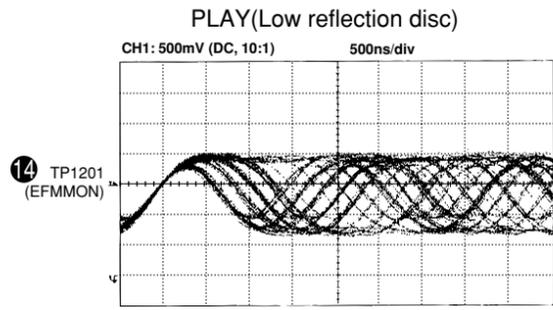
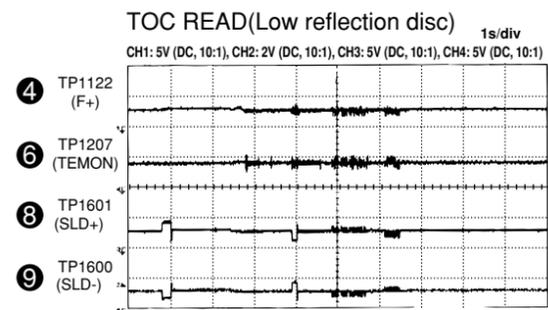
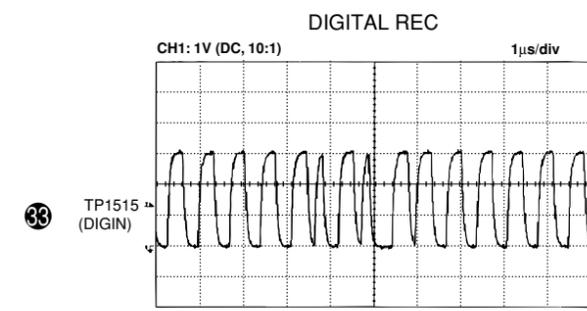
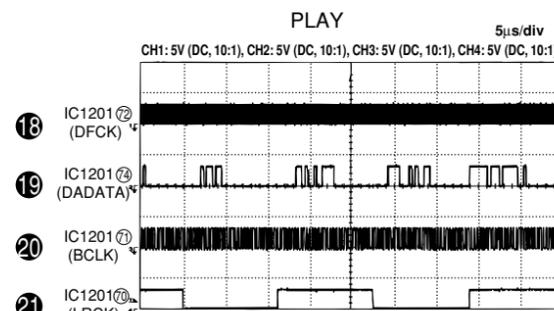
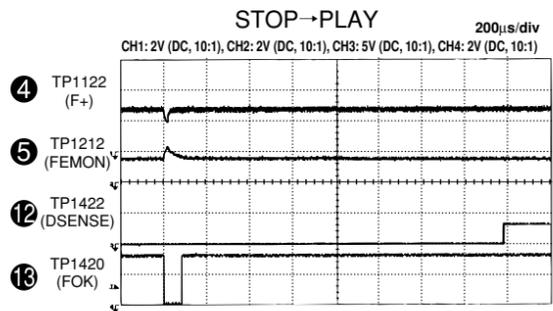
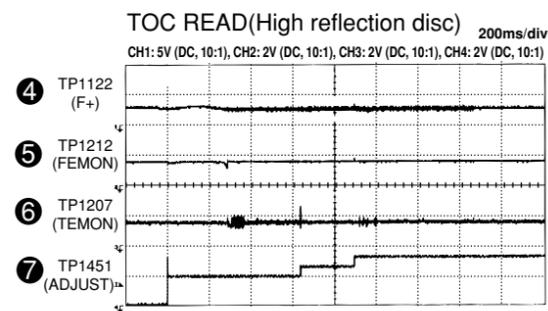
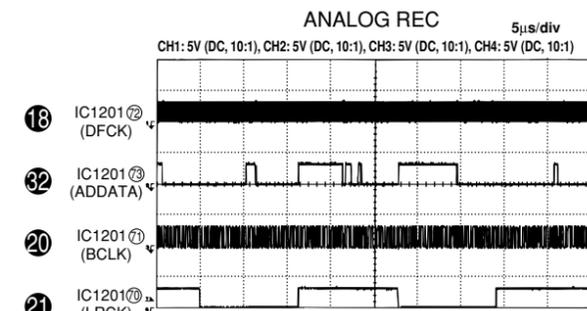
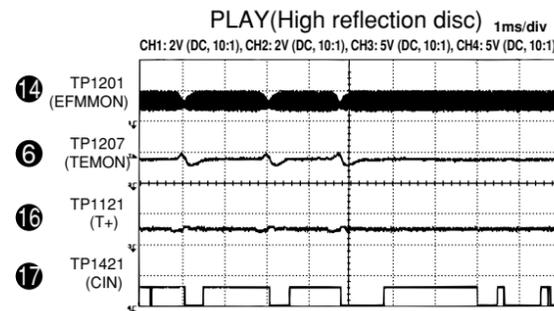
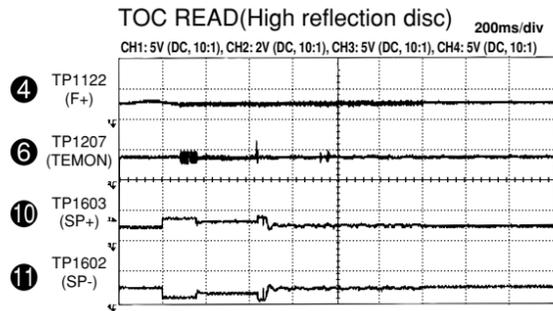
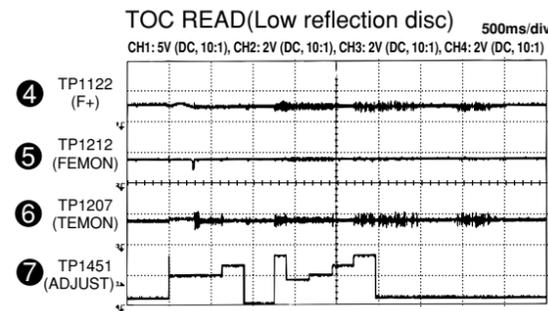
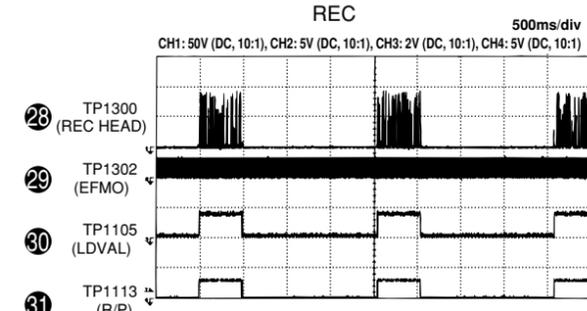
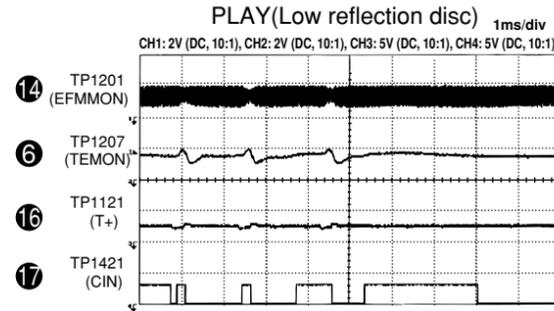
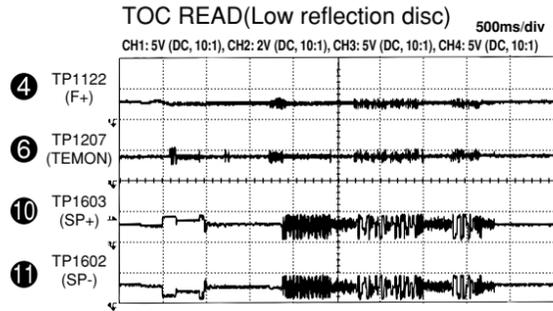
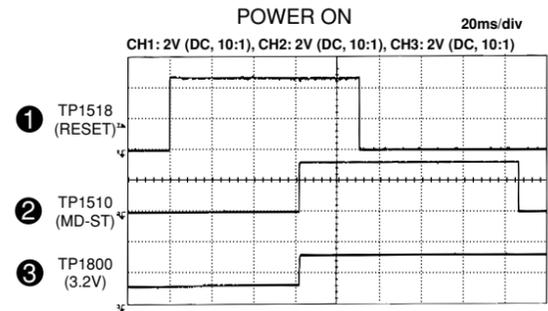
4

5

6

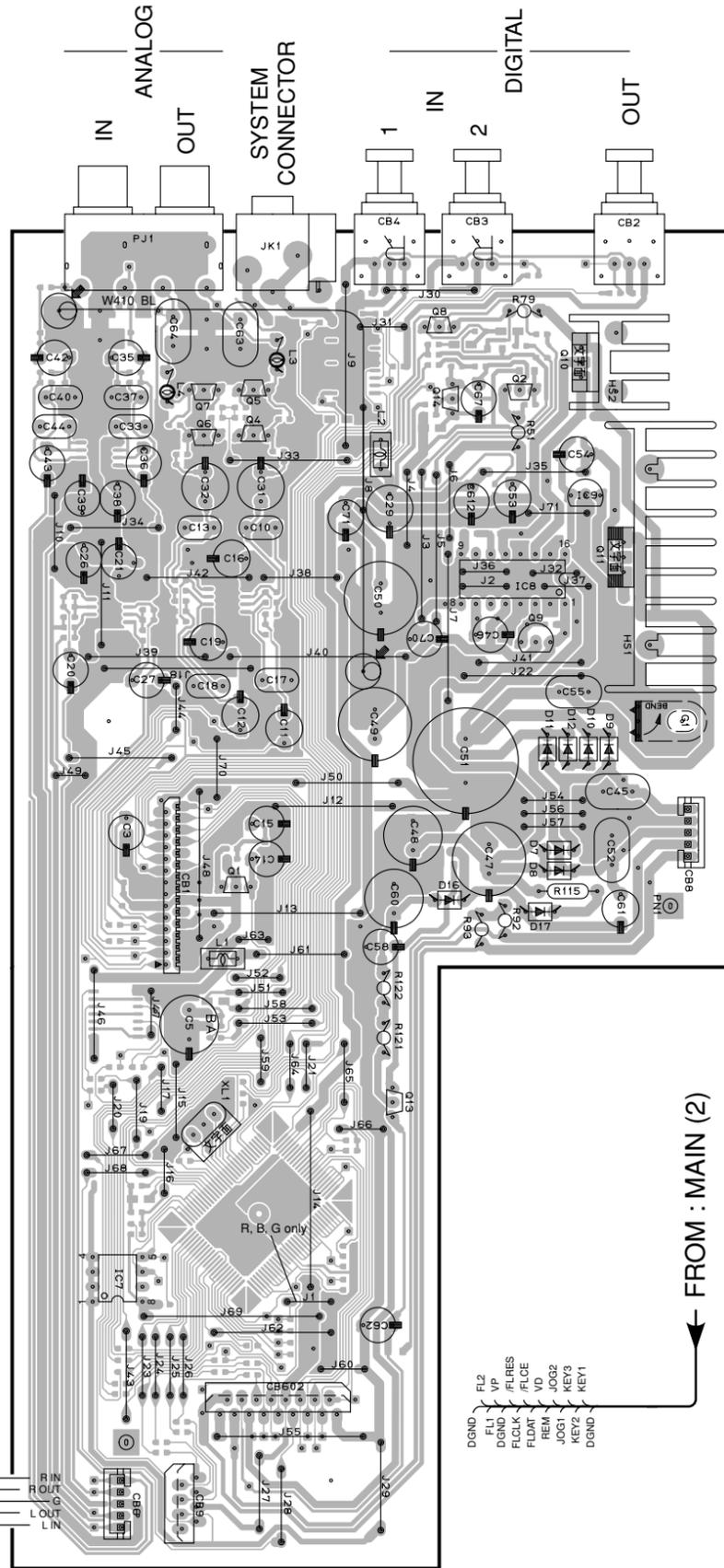


TEST POINT WAVEFORM

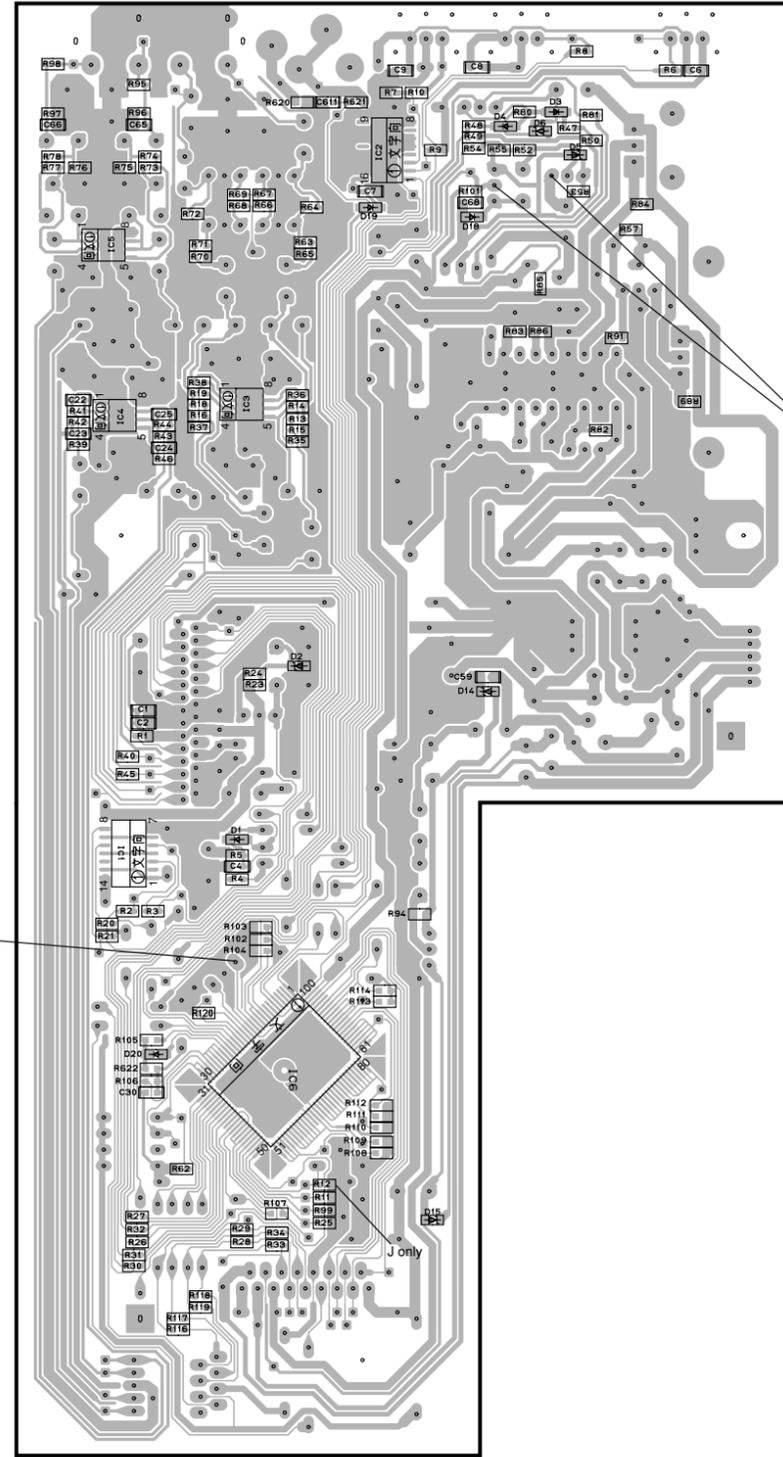


PRINTED CIRCUIT BOARD (Foil side)

MAIN (1) P.C.B.
(Lead Type Device)



MAIN (1) P.C.B. (Surface Mount Device)

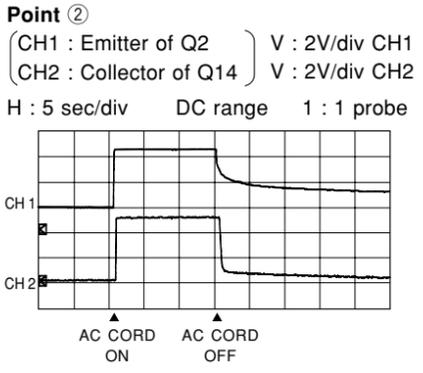
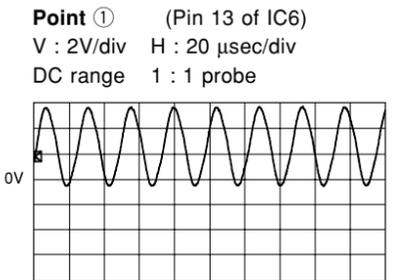


FROM : MAIN (3)

FROM : MAIN (2)

FROM : MD MAIN

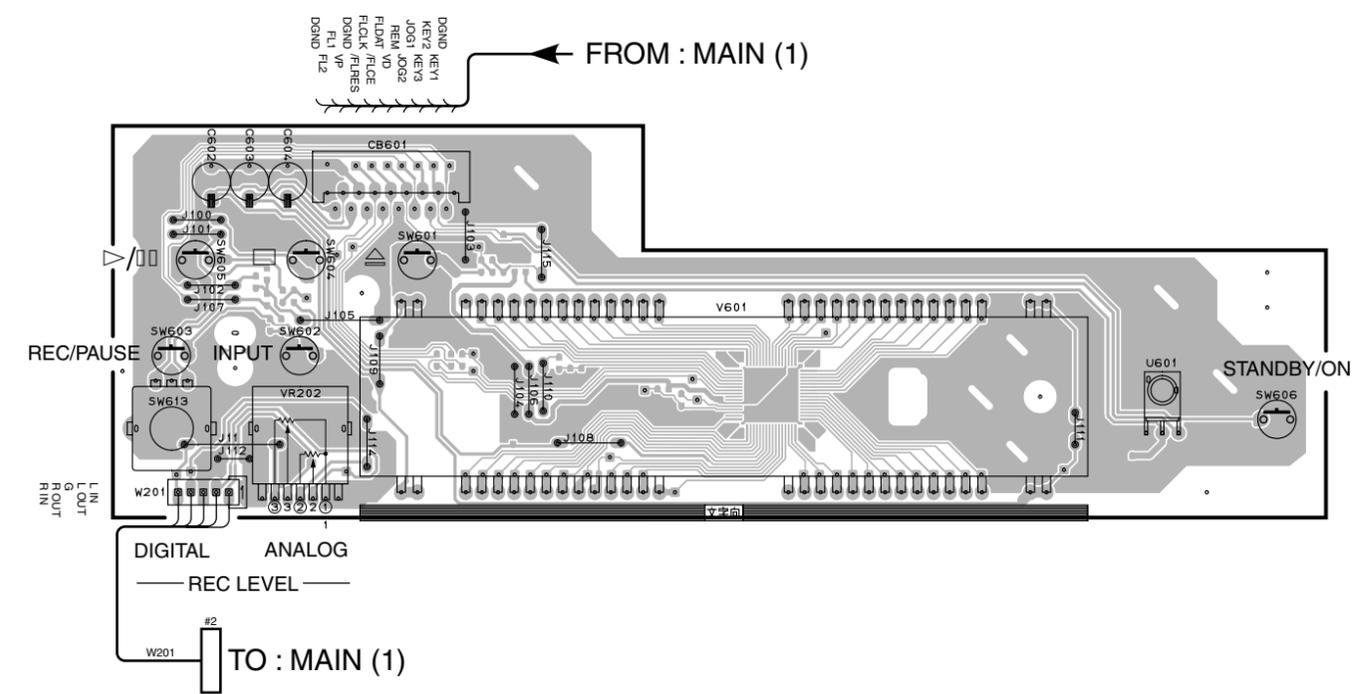
FROM : MAIN (2)



PRINTED CIRCUIT BOARD (Foil side)

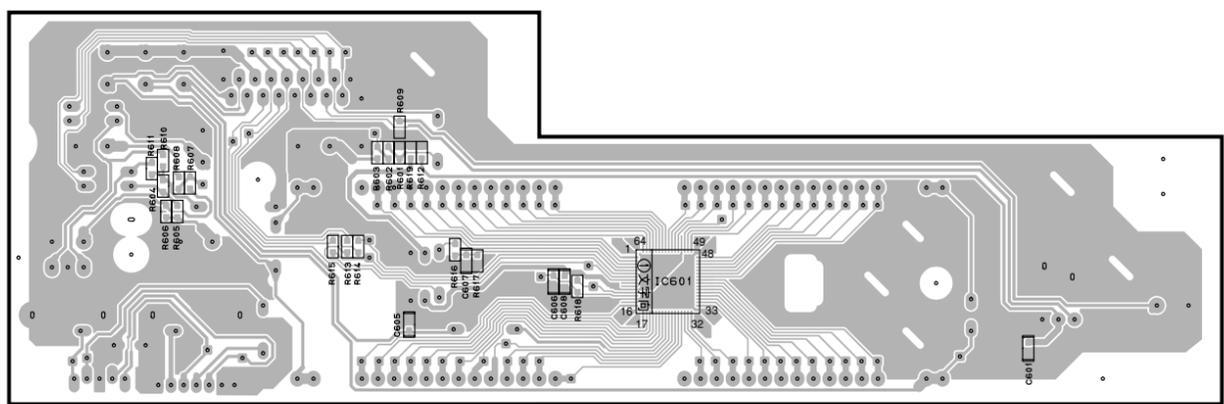
1

MAIN (2) P.C.B. (Lead Type Device)



2

MAIN (2) P.C.B. (Surface Mount Device)



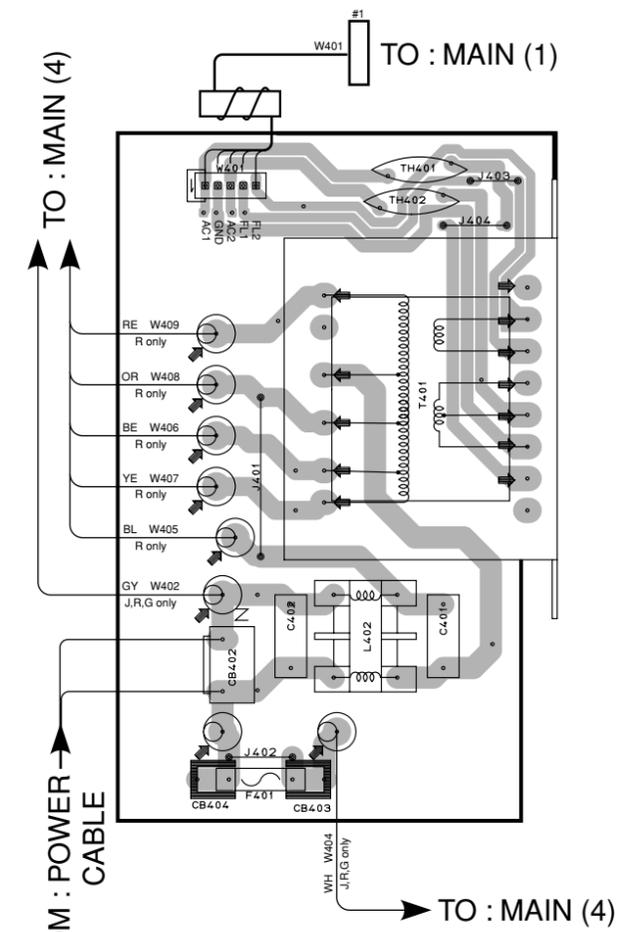
3

4

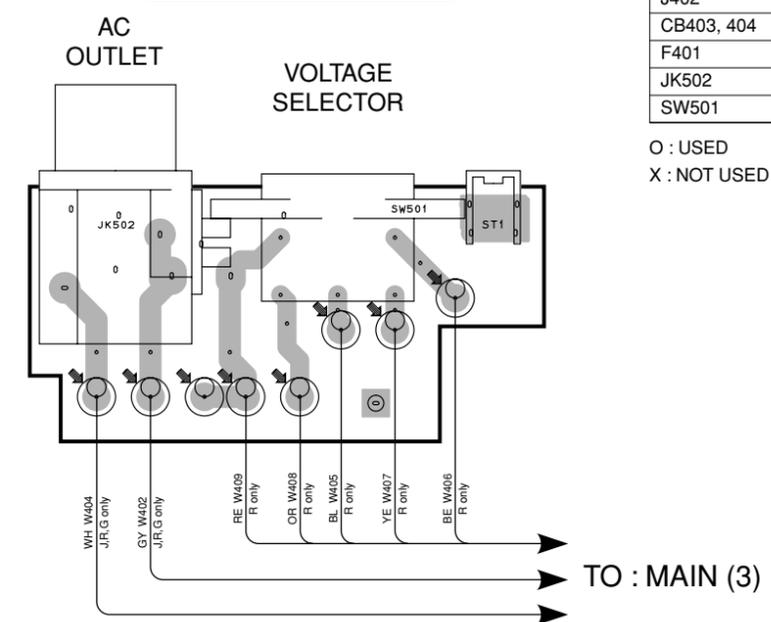
5

6

MAIN (3) P.C.B.



MAIN (4) P.C.B.



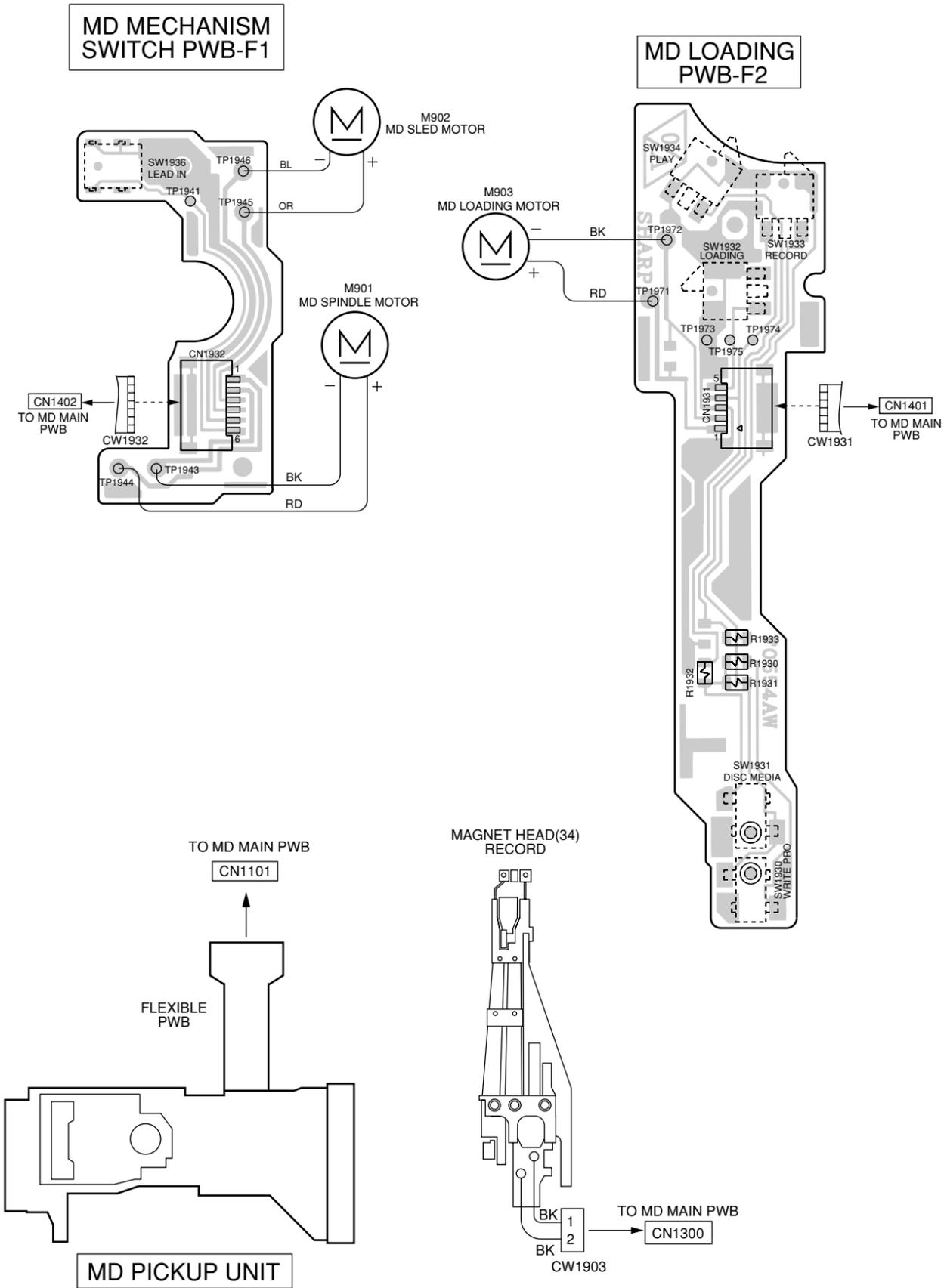
CIRCUIT CHANGES BY MARKET.

	R	B	G	J
J401	X	O	O	O
J402	O	X	X	O
CB403, 404	X	X	O	X
F401	X	X	O	X
JK502	O	X	O	O
SW501	O	X	X	X

O : USED
X : NOT USED

PRINTED CIRCUIT BOARD

MD VOLTAGES



IC1101	
PIN NO.	VOLTAGE
1	0.7V
2	0.7V
3	0.7V
4	0.7V
5	1.3V
6	1.3V
7	1.3V
8	1.3V
9	1.3V
10	1.3V
11	1.3V
12	1.3V
13	1.3V
14	1.3V
15	1.3V
16	1.3V
17	1.3V
18	1.3V
19	1.3V
20	1.3V
21	1.3V
22	1.3V
23	1.3V
24	0.7V
25	1.5V
26	0V
27	3.2V (0V)
28	2.6V
29	2.6V
30	1.3V
31	0V
32	1.3V
33	1.3V
34	0V
35	1.3V
36	1.3V
37	1.3V
38	1.3V
39	0V
40	2.6V
41	1.6V
42	0V
43	1.3V
44	1.1V
45	0.7V
46	1.3V
47	0.7V
48	0V

IC1201			
PIN NO.	VOLTAGE	PIN NO.	VOLTAGE
1	1.3V	51	1.6V
2	2.6V	52	0V
3	1.3V	53	0V
4	0V	54	0V
5	2.6V	55	3.2V
6	1.3V	56	0V
7	1.3V	57	3.2V
8	1.3V	58	3.2V
9	1.3V	59	3.2V
10	1.3V	60	3.2V
11	1.3V	61	0V
12	1.3V	62	2.5V
13	2.6V	63	0V
14	2.6V	64	1.0V
15	0V	65	1.0V
16	0V	66	1.6V
17	1.6V	67	1.6V
18	1.6V	68	0V
19	1.6V	69	0V
20	1.6V	70	1.6V
21	1.6V	71	1.6V
22	1.6V	72	1.6V
23	1.6V	73	0V
24	1.6V	74	0V
25	1.6V	75	1.6V
26	0.7V	76	1.6V
27	0.7V	77	1.6V
28	0.7V	78	0V
29	1.7V	79	3.2V
30	1.3V	80	3.2V
31	3.2V	81	3.2V
32	0.7V	82	3.2V
33	1.1V	83	0V
34	1.1V	84	0V
35	1.1V	85	1.6V
36	1.1V	86	3.2V
37	2.3V	87	3.2V
38	0V	88	0V
39	2.5V	89	3.2V
40	1.8V	90	0.2V
41	1.9V	91	0V
42	1.3V	92	0V
43	2.3V	93	0V
44	3.1V	94	0V
45	1.8V	95	0.1V
46	1.3V	96	0V
47	1.3V	97	0V
48	3.0V	98	3.2V
49	2.6V	99	3.2V
50	1.4V	100	0V

IC1401			
PIN NO.	VOLTAGE	PIN NO.	VOLTAGE
1	0V	51	0V
2	0V	52	0V
3	0V	53	0V
4	0.4V	54	0.2V
5	0V	55	0V
6	0V	56	0V
7	3.2V	57	0V
8	0V	58	0V
9	0V	59	0V
10	0V	60	0V
11	0V	61	0V
12	3.2V	62	3.2V
13	1.5V	63	3.2V
14	0V	64	0V
15	1.6V	65	3.2V
16	3.2V	66	3.2V
17	3.2V	67	3.2V
18	3.2V	68	0V
19	3.2V	69	0V
20	0V	70	3.1V
21	0V	71	0V
22	3.2V	72	0V
23	0V	73	0V
24	0V	74	3.2V
25	2.9V	75	3.2V
26	3.2V	76	0V
27	3.2V	77	0V
28	0V	78	0V
29	3.2V	79	0V
30	3.2V	80	3.2V
31	1.5V	81	0V
32	0V	82	0V
33	2.6V	83	0V
34	0.8V	84	3.2V
35	3.2V	85	0V
36	3.2V	86	3.2V
37	0V	87	3.2V
38	0V	88	3.2V
39	0V (3.2V)	89	2.0V
40	3.2V	90	1.8V
41	0V	91	2.2V
42	0V	92	1.5V
43	0V	93	0.7V
44	3.2V	94	0V
45	3.2V	95	0V
46	3.2V	96	0V
47	0V	97	0V
48	0V	98	3.2V
49	0.1V	99	3.2V
50	0V	100	0V

IC1202	
PIN NO.	VOLTAGE
1	1.3V
2	1.8V
3	3.1V
4	2.3V
5	1.3V
6	1.7V
7	0.7V
8	0.7V
9	0.7V
10	3.2V
11	0.7V
12	1.1V
13	1.1V
14	1.1V
15	1.1V
16	2.3V
17	2.5V
18	1.8V
19	1.9V
20	0V

IC1300	
PIN NO.	VOLTAGE
1	(2.6V)
2	(2.6V)
3	(0.1V)
4	(2.6V)
5	(2.6V)
6	(0.1V)
7	(0V)
8	(1.4V)
9	(0.1V)
10	(2.6V)
11	(1.4V)
12	(0.1V)
13	(2.6V)
14	(5.0V)

IC1601			
PIN NO.	VOLTAGE	PIN NO.	VOLTAGE
1	1.6V	22	1.6V
2	1.6V	23	1.6V
3	1.6V	24	0V
4	5.0V	25	3.2V
5	5.0V	26	3.2V
6	0V	27	1.6V
7	0V	28	1.6V
8	1.6V	29	0V
9	2.5V	30	1.6V
10	2.5V	31	2.5V
11	0V	32	2.5V
12	2.5V	33	0V
13	2.5V	34	2.5V
14	2.5V	35	2.5V
15	2.5V	36	1.6V
16	1.6V	37	1.6V
17	1.6V	38	5.0V
18	1.6V	39	5.0V
19	1.2V	40	1.6V
20	1.2V	41	5.0V
21	1.6V	42	0.9V

IC1701	
PIN NO.	VOLTAGE
1	0V
2	3.2V
3	1.6V
4	1.6V
5	1.6V
6	0V
7	3.2V
8	0V
9	0V
10	3.2V
11	0V
12	3.2V
13	3.2V
14	3.2V
15	3.2V
16	0V
17	1.6V
18	0V
19	0V
20	0V
21	0V
22	0V
23	0V
24	0V
25	0V
26	0V
27	0V
28	1.6V

IC1402	
PIN NO.	VOLTAGE
1	0V
2	0V
3	0V
4	0V
5	3.2V
6	3.2V
7	3.2V
8	3.2V

IC1301	
PIN NO.	VOLTAGE
1	(5.0V)
2	(1.4V)
3	(1.4V)
4	(2.5V)
5	(2.5V)
6	(1.4V)
7	(1.4V)
8	(5.0V)

IC1801	
PIN NO.	VOLTAGE
1	0V
2	5.0V
3	3.2V
4	3.1V
5	0V

IC1702	
PIN NO.	VOLTAGE
1	2.46V
2	0V
3	3.85V

IC1302	
PIN NO.	VOLTAGE
1	(1.5V)
2	(1.5V)
3	(2.5V)
4	(0V)
5	(2.5V)

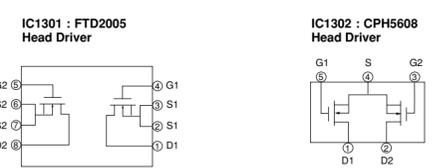
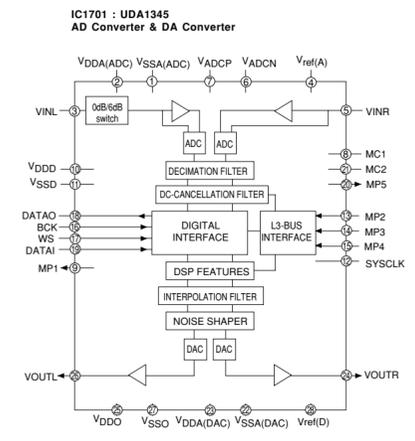
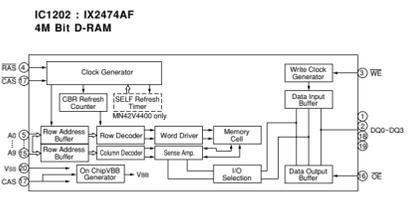
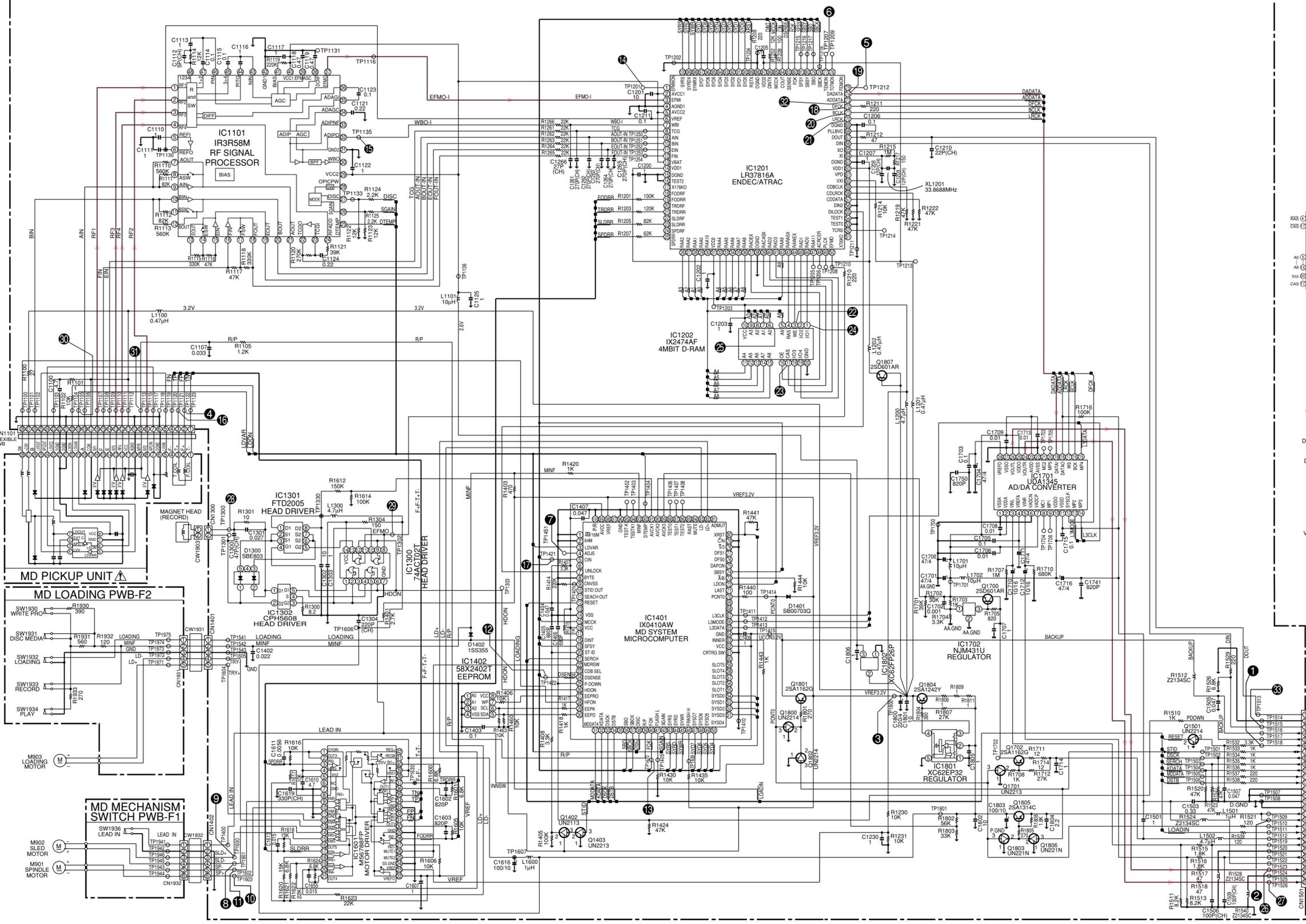
IC1802	
PIN NO.	VOLTAGE
1	0V
2	3.2V
3	2.6V

() : REC MODE

SCHEMATIC DIAGRAM

① to ③③ : TEST POINT WAVEFORMS (See page 58)

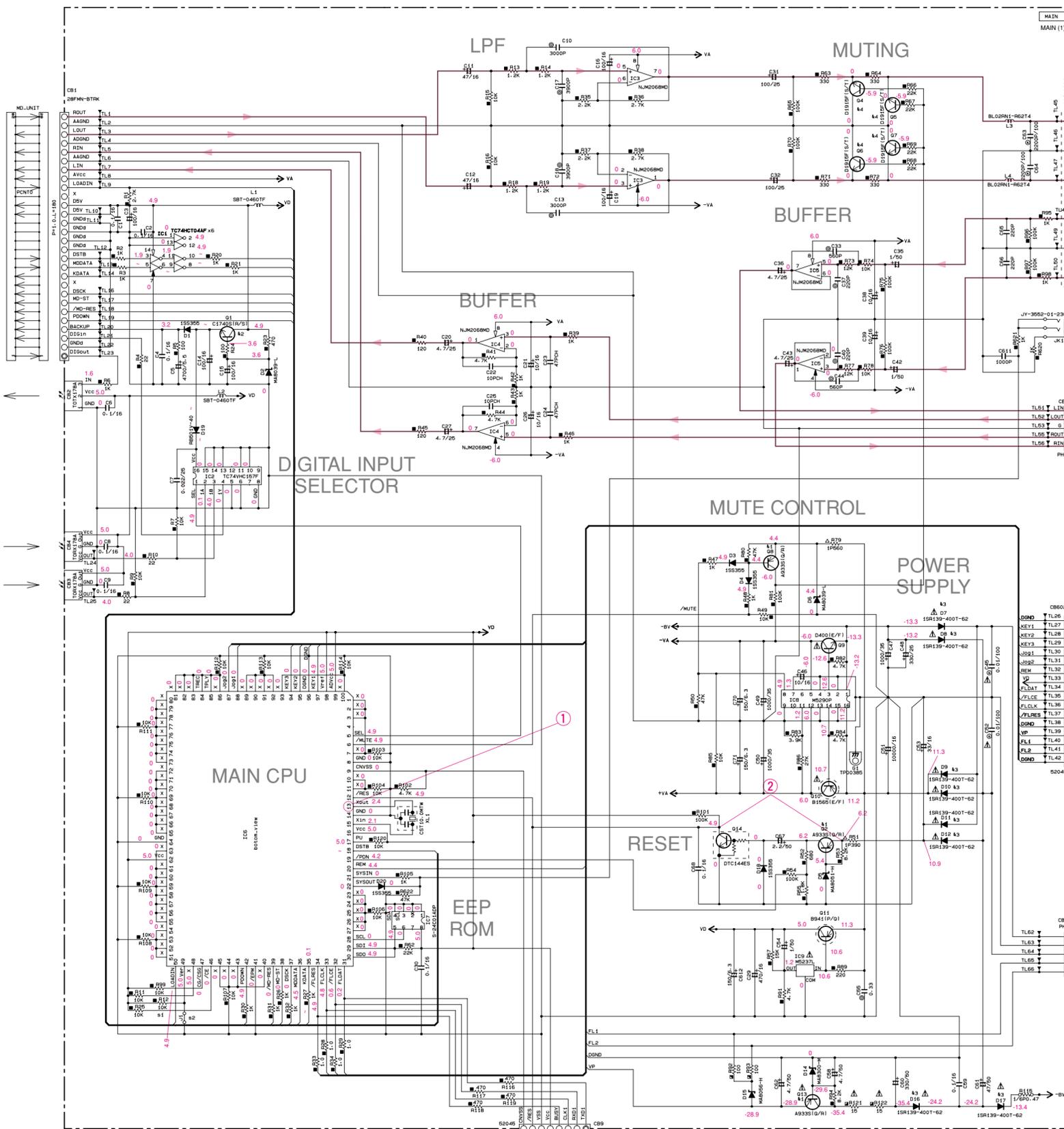
MD MAIN PWB-C



* All voltages are measured with a 10MΩ/DC electric volt meter.
 * Components having special characteristics are marked △ and must be replaced with parts having specifications equal to those originally installed.
 * Schematic diagram is subject to change without notice.

電圧は、内部抵抗10M の電圧計で測定したものです。
 △印のある部品は、安全性確保部品を示しています。部品の交換が必要な場合、パーツリストに記載されている部品を使用してください。
 本回路図は、標準回路図です。改良のため予告なく変更することがございます。

SCHEMATIC DIAGRAM



CAPACITOR

REMARKS	PARTS_NAME	MARK
NO MARK	ELECTROLYTIC CAPACITOR	#
⊗	TANTALUM CAPACITOR	II
NO MARK	CERAMIC CAPACITOR	
⊙	CERAMIC TUBULAR CAPACITOR	
⊖	POLYESTER FILM CAPACITOR	
○	POLYSTYRENE FILM CAPACITOR	
⊕	MICA CAPACITOR	
⊖	POLYPROPYLENE FILM CAPACITOR	
⊙	SEMICONDUCTIVE CERAMIC CAPACITOR	

RESISTOR

REMARKS	PARTS_NAME	MARK
NO MARK	CARBON FILM RESISTOR (P=5)	
⊗	CARBON FILM RESISTOR (P=10)	
△	METAL OXIDE FILM RESISTOR	
⊖	METAL PLATE RESISTOR	
⊖	FIRE PROOF CARBON FILM RESISTOR	
⊖	CEMENT MOLDED RESISTOR	
⊖	SEMI VARIABLE RESISTOR	
⊙	CHIP RESISTOR	

Interchangeable Parts at Manufacture-Stage

Mark	Reference	Parts Number	Parts Name	Parts No.
k1	02-B-13	2S49331(P/R)	IC17402	JA09332
		2S41151(E/P)	IC26032	1411552
		2S13091(G/R/S)	VH80090	VH80090
k2	01	2SC17402(R/S)	IC17402	IC17402
		2SC26032(E/P)	IC26032	IC26032
		2SC3311(G/R/S)	VH80090	VH80090
k3	D7-B-9-10-11-12-16-17	1SR139-400 T-62	VUS6400	VUS6400
		D1960-4084	B91160	B91160
k4	04-5-6-7	1915(F) S-T	VK43290	VK43290
		2878 A-B	IC28782	IC28782

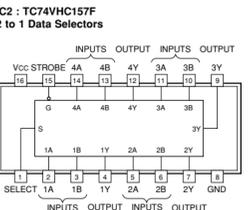
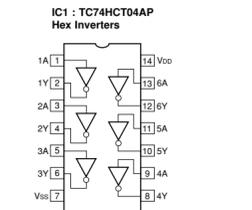
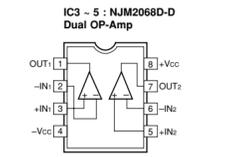
NOTICE (model)

(J)..... JAPANESE
 (U)..... U.S.A
 (C)..... CANADIAN
 (R)..... GENERAL
 (A)..... AUSTRALIAN
 (B)..... BRITISH
 (G)..... EUROPEAN
 (T)..... CHINA
 (L)..... SINGAPORE

CIRCUIT CHANGES BY MARKET

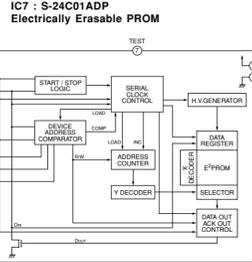
S	J	R	B	G
1	R12	RD40710	X	X
2	J1	X	VN00000	VN00000
3	J401	X	VN00000	VN00000
4	T401	XW510	XW085	XW511
5	W402	MH08016	MH08016	X
6	W404	MH09014	MH09014	X
7	W405	X	MH00014	X
8	W406	X	MH05014	X
9	W407	X	MH04014	X
10	W408	X	MH03016	X
11	W409	X	MH02016	X
12	W410	X	V038810	X
13	CB403-404	X	X	X
14	CB403-404	X	X	X
15				
16	JK602	V360930	V360930	X
17	F401	X	X	X
18	J402	VN00000	VN00000	X
19				

X: NOT USED

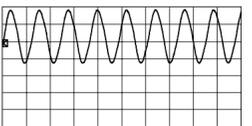


FUNCTION TABLE

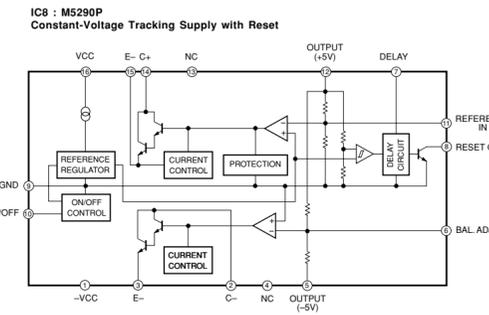
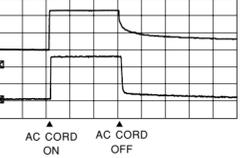
SELECT	STROBE	OUTPUT
X <td>H</td> <td>L</td>	H	L
L <td>L</td> <td>L</td>	L	L
H <td>L</td> <td>B</td>	L	B



Point ① (Pin 13 of IC6)
 V : 2V/div H : 20 μsec/div
 DC range 1 : 1 probe



Point ②
 (CH1 : Emitter of Q2) V : 2V/div CH1
 (CH2 : Collector of Q14) V : 2V/div CH2
 H : 5 sec/div DC range 1 : 1 probe



* All voltages are measured with a 10MΩ/DC electric volt meter.
 * Components having special characteristics are marked △ and must be replaced with parts having specifications equal to those originally installed.
 * Schematic diagram is subject to change without notice.

電圧は、内部抵抗10MΩの電圧計で測定したものです。
 △印のある部品は、安全性確保部品を示しています。部品の交換が必要な場合、パーツリストに記載されている部品を使用してください。
 本回路図は、標準回路図です。改良のため予告なく変更することがございます。

PARTS LIST

■ ELECTRICAL PARTS

■ WARNING

- Components having special characteristics are marked \triangle and must be replaced with parts having specifications equal to those originally installed.
- Carbon resistors (1/6W or 1/4W) are not included in the ELECTRICAL PARTS List. For the parts No. of the carbon resistors, refer to last page.

\triangle 印のある部分は、安全確保部品を示しています。部品の交換が必要な場合、パーツリストに記載されている部品を使用してください。
本機に使用しているカーボン抵抗は、1/6Wです。このパーツリストには、記載していませんので、部品番号がHF85 タイプまたは同等品を使用してください。

ABBREVIATIONS IN THIS LIST ARE AS FOLLOWS :

C.A.EL.CHP	: CHIP ALUMI. ELECTROLYTIC CAP	L.DTCT	: LIGHT DETECTING MODULE
C.CE	: CERAMIC CAP	L.EMIT	: LIGHT EMITTING MODULE
C.CE.ARRAY	: CERAMIC CAP ARRAY	LED.DSPLY	: LED DISPLAY
C.CE.CHP	: CHIP CERAMIC CAP	LED.INFRD	: LED, INFRARED
C.CE.ML	: MULTILAYER CERAMIC CAP	MODUL.RF	: MODULATOR, RF
C.CE.M.CHP	: CHIP MULTILAYER CERAMIC CAP	PHOT.CPL	: PHOTO COUPLER
C.CE.SAFTY	: RECOGNIZED CERAMIC CAP	PHOT.INTR	: PHOTO INTERRUPTER
C.CE.TUBLR	: CERAMIC TUBULAR CAP	PHOT.RFLCT	: PHOTO REFLECTOR
C.CE.SMI	: SEMI CONDUCTIVE CERAMIC CAP	PIN.TEST	: PIN, TEST POINT
C.EL	: ELECTROLYTIC CAP	PLST.RIVET	: PLASTIC RIVET
C.MICA	: MICA CAP	R.ARRAY	: RESISTOR ARRAY
C.ML.FLM	: MULTILAYER FILM CAP	R.CAR	: CARBON RESISTOR
C.MP	: METALLIZED PAPER CAP	R.CAR.CHP	: CHIP RESISTOR
C.MYLAR	: MYLAR FILM CAP	R.CAR.FP	: FLAME PROOF CARBON RESISTOR
C.MYLAR.ML	: MULTILAYER MYLAR FILM CAP	R.FUS	: FUSABLE RESISTOR
C.PAPER	: PAPER CAPACITOR	R.MTL.CHP	: CHIP METAL FILM RESISTOR
C.PLS	: POLYSTYRENE FILM CAP	R.MTL.FLM	: METAL FILM RESISTOR
C.POL	: POLYESTER FILM CAP	R.MTL.OXD	: METAL OXIDE FILM RESISTOR
C.POLY	: POLYETHYLENE FILM CAP	R.MTL.PLAT	: METAL PLATE RESISTOR
C.PP	: POLYPROPYLENE FILM CAP	RSNR.CE	: CERAMIC RESONATOR
C.TNTL	: TANTALUM CAP	RSNR.CRYS	: CRYSTAL RESONATOR
C.TNTL.CHP	: CHIP TANTALUM CAP	R.TW.CEM	: TWIN CEMENT FIXED RESISTOR
C.TRIM	: TRIMMER CAP	R.WW	: WIRE WOUND RESISTOR
CN	: CONNECTOR	SCR.BND.HD	: BIND HEAD B-TITE SCREW
CN.BS.PIN	: CONNECTOR, BASE PIN	SCR.BW.HD	: BW HEAD TAPPING SCREW
CN.CANNON	: CONNECTOR, CANNON	SCR.CUP	: CUP TITE SCREW
CN.DIN	: CONNECTOR, DIN	SCR.TERM	: SCREW TERMINAL
CN.FLAT	: CONNECTOR, FLAT CABLE	SCR.TR	: SCREW, TRANSISTOR
CN.POST	: CONNECTOR, BASE POST	SUPRT.PCB	: SUPPORT, P.C.B.
COIL.MX.AM	: COIL, AM MIX	SURG.PRTCT	: SURGE PROTECTOR
COIL.AT.FM	: COIL, FM ANTENNA	SW.TACT	: TACT SWITCH
COIL.DT.FM	: COIL, FM DETECT	SW.LEAF	: LEAF SWITCH
COIL.MX.FM	: COIL, FM MIX	SW.LEVER	: LEVER SWITCH
COIL.OUTPT	: OUTPUT COIL	SW.MICRO	: MICRO SWITCH
DIOD.ARRAY	: DIODE ARRAY	SW.PUSH	: PUSH SWITCH
DIODE.BRG	: DIODE BRIDGE	SW.RT.ENC	: ROTARY ENCODER
DIODE.CHP	: CHIP DIODE	SW.RT.MTR	: ROTARY SWITCH WITH MOTOR
DIODE.SHOT	: SCHOTTKY BARRIER DIODE	SW.RT	: ROTARY SWITCH
DIODE.VAR	: VARACTOR DIODE	SW.SLIDE	: SLIDE SWITCH
DIOD.Z.CHP	: CHIP ZENER DIODE	TERM.SP	: SPEAKER TERMINAL
DIODE.ZENR	: ZENER DIODE	TERM.WRAP	: WRAPPING TERMINAL
DSCR.CE	: CERAMIC DISCRIMINATOR	THRMST.CHP	: CHIP THERMISTOR
FER.BEAD	: FERRITE BEADS	TR.CHP	: CHIP TRANSISTOR
FER.CORE	: FERRITE CORE	TR.DGT	: DIGITAL TRANSISTOR
FET.CHP	: CHIP FET	TR.DGT.CHP	: CHIP DIGITAL TRANSISTOR
FL.DSPLY	: FLUORESCENT DISPLAY	TRANS	: TRANSFORMER
FLTR.CE	: CERAMIC FILTER	TRANS.PULS	: PULSE TRANSFORMER
FLTR.COMB	: COMB FILTER MODULE	TRANS.PWR	: POWER TRANSFORMER ASS'y
FLTR.LC.RF	: LC FILTER ,EMI	TUNER.AM	: TUNER PACK, AM
GND.MTL	: GROUND PLATE	TUNER.FM	: TUNER PACK, FM
GND.TERM	: GROUND TERMINAL	TUNER.PK	: FRONT-END TUNER PACK
HOLDER.FUS	: FUSE HOLDER	VR	: ROTARY POTENTIOMETER
IC.PRTCT	: IC PROTECTOR	VR.MTR	: POTENTIOMETER WITH MOTOR
JUMPER.CN	: JUMPER CONNECTOR	VR.SW	: POTENTIOMETER WITH ROTARY SW
JUMPER.TST	: JUMPER, TEST POINT	VR.SLIDE	: SLIDE POTENTIOMETER
		VR.TRIM	: TRIMMER POTENTIOMETER

P.C.B. MAIN

Ref. No.	PART NO.	Description	Remarks	Markets	部品名	Rank	
*	V9082900	P.C.B.	MAIN	SI	J	P C B 集成メイン	
*	V9083000	P.C.B.	MAIN	GD	R	P C B 集成メイン	
*	V9083100	P.C.B.	MAIN	SI	B	P C B 集成メイン	
*	V9133100	P.C.B.	MAIN	SI	G	P C B 集成メイン	
CB1	V3733000	CN	28P			F M N コネクター	03
CB2	V4164300	L. EMIT	TOTX178A			光送信モジュール	04
CB3	VT620100	L. DTCT	TORX178A			光受信モジュール	05
CB4	VT620100	L. DTCT	TORX178A			光受信モジュール	05
CB6	VB390100	CN. BS. PIN	5P			ベースピン	01
CB8	VB390100	CN. BS. PIN	5P			ベースピン	01
CB9	VP682200	CN. BS. PIN	8P			F F C コネクター	01
CB402	VG879900	CN. BS. PIN	2P			ベースピン	01
CB403	VP206500	HOLDER. FUS	EYF-52BCT		G	ヒューズホルダー	01
CB404	VP206500	HOLDER. FUS	EYF-52BCT		G	ヒューズホルダー	01
CB601	VF982300	CN. BS. PIN	17P			F F C コネクター	01
CB602	VU271700	CN	17P			F F C コネクター	01
C1	US035100	C. CE. M. CHP	0.1uF	16V		チップセラコン	01
C2	US035100	C. CE. M. CHP	0.1uF	16V		チップセラコン	01
C3	UR838100	C. EL	100uF	16V		ケミコン	01
C4	US035100	C. CE. M. CHP	0.1uF	16V		チップセラコン	01
C5	VF992600	C. EL	4700uF	5.5V		バックアップケミコン	02
C6	US035100	C. CE. M. CHP	0.1uF	16V		チップセラコン	01
C7	US044220	C. CE. M. CHP	0.022uF	25V		チップセラコン	01
C8	US035100	C. CE. M. CHP	0.1uF	16V		チップセラコン	01
C9	US035100	C. CE. M. CHP	0.1uF	16V		チップセラコン	01
C10	UA653300	C. MYLAR	3000pF	50V		マイラーコン	01
C11	VQ083000	C. EL	47uF	16V		ケミコン	01
C12	VQ083000	C. EL	47uF	16V		ケミコン	01
C13	UA653300	C. MYLAR	3000pF	50V		マイラーコン	01
C14	UR838100	C. EL	100uF	16V		ケミコン	01
C15	UR838100	C. EL	100uF	16V		ケミコン	01
C16	VG287600	C. EL	100uF	25V		ケミコン	01
C17	UA653390	C. MYLAR	3900pF	50V		マイラーコン	01
C18	UA653390	C. MYLAR	3900pF	50V		マイラーコン	01
C19	VG287600	C. EL	100uF	25V		ケミコン	01
C20	UR846470	C. EL	4.7uF	25V		ケミコン	01
C21	UR837100	C. EL	10uF	16V		ケミコン	01
C22	US061100	C. CE. M. CHP	10pF	50V		チップセラコン	01
C23	US061470	C. CE. M. CHP	47pF	50V		チップセラコン	01
C24	US061470	C. CE. M. CHP	47pF	50V		チップセラコン	01
C25	US061100	C. CE. M. CHP	10pF	50V		チップセラコン	01
C26	UR837100	C. EL	10uF	16V		ケミコン	01
C27	UR846470	C. EL	4.7uF	25V		ケミコン	01
C29	UR838470	C. EL	470uF	16V		ケミコン	01
C30	US035100	C. CE. M. CHP	0.1uF	16V		チップセラコン	01
C31	VQ569900	C. EL	100uF	25V		ケミコン	
C32	VQ569900	C. EL	100uF	25V		ケミコン	
C33	UA652560	C. MYLAR	560pF	50V		マイラーコン	02
C35	UR866100	C. EL	1uF	50V		ケミコン	01
C36	UR846470	C. EL	4.7uF	25V		ケミコン	01
C37	UA652220	C. MYLAR	220pF	50V		マイラーコン	01
C38	UR837100	C. EL	10uF	16V		ケミコン	01
C39	UR837100	C. EL	10uF	16V		ケミコン	01

* New Parts (新規部品)

Note) Those parts marked with “#” are not included in the P.C.B. ass'y. (マーク#の部品は、基板に含まれません)

P.C.B. MAIN

Ref. No.	PART NO.	Description	Remarks	Markets	部品名	Rank	
	C40	UA652220	C.MYLAR	220pF 50V		マイラーコン	01
	C42	UR866100	C.EL	1uF 50V		ケミコン	01
	C43	UR846470	C.EL	4.7uF 25V		ケミコン	01
	C44	UA652560	C.MYLAR	560pF 50V		マイラーコン	02
△	C45	VK534100	C.PP	0.01uF 100V		PPコン	01
	C46	UR837100	C.EL	10uF 16V		ケミコン	01
	C47	VG289800	C.EL	1000uF 50V		ケミコン	02
	C48	VG289100	C.EL	330uF 25V		ケミコン	01
	C49	VG289800	C.EL	1000uF 50V		ケミコン	02
	C50	VG289800	C.EL	1000uF 50V		ケミコン	02
	C51	UR73A100	C.EL	10000uF 16V		ケミコン	03
△	C52	VK534100	C.PP	0.01uF 100V		PPコン	01
	C53	UR837330	C.EL	33uF 16V		ケミコン	01
	C54	UR866100	C.EL	1uF 50V		ケミコン	01
	C55	VR169000	C.MYLAR.ML	ECQ-V1H334JL3		積層マイラーコン	01
	C58	UR866470	C.EL	4.7uF 50V		ケミコン	01
	C59	US035100	C.CE.M.CHP	0.1uF 16V		チップセラコン	01
	C60	UR868330	C.EL	330uF 50V		ケミコン	01
	C61	UR867470	C.EL	47uF 50V		ケミコン	01
	C62	UR866470	C.EL	4.7uF 50V		ケミコン	01
	C63	VL883800	C.PP	2200pF 100V		PPコン	01
	C64	VL883800	C.PP	2200pF 100V		PPコン	01
	C65	US062220	C.CE.CHP	220pF 50V		チップセラコン	01
	C66	US062220	C.CE.CHP	220pF 50V		チップセラコン	01
	C67	UR866220	C.EL	2.2uF 50V		ケミコン	01
	C68	US035100	C.CE.M.CHP	0.1uF 16V		チップセラコン	01
	C70	V4749000	C.EL	150uF 6.3V		ケミコン	
	C71	V4749000	C.EL	150uF 6.3V		ケミコン	
△	C401	V6185300	C.CE.SAFTY	0.01uF 275V		規格認定コン	
△	C402	V6185300	C.CE.SAFTY	0.01uF 275V		規格認定コン	
	C601	US035100	C.CE.M.CHP	0.1uF 16V		チップセラコン	01
	C602	UM416470	C.EL	4.7uF 50V		ケミコン	01
	C603	UM416470	C.EL	4.7uF 50V		ケミコン	01
	C604	UM416470	C.EL	4.7uF 50V		ケミコン	01
	C605	US035100	C.CE.M.CHP	0.1uF 16V		チップセラコン	01
	C606	US061330	C.CE.M.CHP	33pF 50V		チップセラコン	01
	C607	US035100	C.CE.M.CHP	0.1uF 16V		チップセラコン	01
	C608	US035100	C.CE.M.CHP	0.1uF 16V		チップセラコン	01
	C611	US063100	C.CE.M.CHP	1000pF 50V		チップセラコン	01
	C612	V4749000	C.EL	150uF 6.3V		ケミコン	
	D1	VT332900	DIODE	1SS355		ダイオード	01
	D2	VU991400	DIODE.ZENR	MA8039-L 3.8V		ツェナーダイオード	01
	D3	VT332900	DIODE	1SS355		ダイオード	01
	D4	VT332900	DIODE	1SS355		ダイオード	01
	D5	VU992700	DIODE.ZENR	MA8051-H 5.3V		ツェナーダイオード	
	D6	VU991400	DIODE.ZENR	MA8039-L 3.8V		ツェナーダイオード	01
△	D7	VU264200	DIODE	1SR139-400		ダイオード	01
△	D8	VU264200	DIODE	1SR139-400		ダイオード	01
△	D9	VU264200	DIODE	1SR139-400		ダイオード	01
△	D10	VU264200	DIODE	1SR139-400		ダイオード	01
△	D11	VU264200	DIODE	1SR139-400		ダイオード	01
△	D12	VU264200	DIODE	1SR139-400		ダイオード	01
△	D14	VU999900	DIODE.ZENR	MA8300-M 30V		ツェナーダイオード	01

* New Parts (新規部品)

P.C.B. MAIN

Ref. No.	PART NO.	Description	Remarks	Markets	部品名	Rank	
	D15	VU993100	DIODE.ZENR MA8056-H 5.8V			ツェナーダイオード	01
△	D16	VU264200	DIODE 1SR139-400			ダイオード	01
△	D17	VU264200	DIODE 1SR139-400			ダイオード	01
	D18	VT332900	DIODE 1SS355			ダイオード	01
	D19	VV220700	DIODE.SHOT RB501V-40			ショットキーダイオード	01
	D20	VT332900	DIODE 1SS355			ダイオード	01
	F401	VT942900	FUSE TH2.5A 250V		G	ヒューズ	01
	IC1	Xi297A00	IC TC74HCT04AF-T1			IC	01
*	IC2	XY239A00	IC TC74VHC157F			ロジックIC SOP	
	IC3	XJ553A00	IC NJM2068MD			IC	02
	IC4	XJ553A00	IC NJM2068MD			IC	02
	IC5	XJ553A00	IC NJM2068MD			IC	02
*	IC6	X3167A00	IC.CPU M30622M8-XXXFP CPU			CPU/周辺IC	
	IC7	XS070A00	IC S-24C01ADP EEPROM			IC	05
	IC8	XD201A00	IC M5290P			IC	05
△	IC9	XQ667A00	IC M5237L			電源IC	02
*	IC601	X2078A00	IC M6605-0001FP			ロジックIC フラット	
	JK1	V3576300	JACK 2P			ミニジャック	03
△	JK502	V3609200	OUTLET.AC 1P		G	ACアウトレット	
△	JK502	V3609300	OUTLET.AC 1P		JR	ACアウトレット	03
	L1	VD473700	COIL 60uH			コイル	02
	L2	VD473700	COIL 60uH			コイル	02
	L3	GE300610	FER.BEAD BL02RN1-R62T4			フェライトビーズ	01
	L4	GE300610	FER.BEAD BL02RN1-R62T4			フェライトビーズ	01
△	L402	VU984000	FLTR 1E-UU10.5-009			ラインフィルター	04
	PJ1	V3007700	JACK.PIN 4P			ピンジャック 4P	03
	Q1	iC174020	TR 2SC1740S R,S			トランジスタ	01
	Q2	iA093320	TR 2SA933S Q,R			トランジスタ	01
	Q4	VK432900	TR 2SD1915F S,T			トランジスタ	01
	Q5	VK432900	TR 2SD1915F S,T			トランジスタ	01
	Q6	VK432900	TR 2SD1915F S,T			トランジスタ	01
	Q7	VK432900	TR 2SD1915F S,T			トランジスタ	01
	Q8	iA093320	TR 2SA933S Q,R			トランジスタ	01
△	Q9	iD040040	TR 2SD400			トランジスタ	02
△	Q10	VS883300	TR 2SB1565 E,F			トランジスタ	02
	Q11	VC141900	TR 2SB941 P,Q			トランジスタ	04
△	Q13	iA093320	TR 2SA933S Q,R			トランジスタ	01
	Q14	VG722000	TR.DGT DTC144ES			デジタルトランジスタ	01
	R51	VP944500	R.MTL.OXD 390 1W			酸化金属被膜抵抗	01
	R79	VP940900	R.MTL.OXD 560 1W			酸化金属被膜抵抗	
	R92	HV755100	R.CAR.FP 100 1/4W			不燃化カーボン抵抗	01
	R93	HV755100	R.CAR.FP 100 1/4W			不燃化カーボン抵抗	01
	R115	V2370600	R.FUS 0.47 1/6W			ヒューズ抵抗	02
△	R121	HV754150	R.CAR.FP 15 1/4W			不燃化カーボン抵抗	01
△	R122	HV754150	R.CAR.FP 15 1/4W			不燃化カーボン抵抗	01
	ST1	V4040500	SCR.TERM M3		JG	スクリュー/ターミナル	01
△	SW501	VG388100	VOLT.SELCT HXW0244-01-080		R	電圧切換器	04
	SW601	VV020300	SW.TACT SKQNAA			タクトSW	01
	SW602	VV020300	SW.TACT SKQNAA			タクトSW	01
	SW603	VV020300	SW.TACT SKQNAA			タクトSW	01
	SW604	VV020300	SW.TACT SKQNAA			タクトSW	01
	SW605	VV020300	SW.TACT SKQNAA			タクトSW	01
	SW606	VV020300	SW.TACT SKQNAA			タクトSW	01

* New Parts (新規部品)

Note) Those parts marked with "#" are not included in the P.C.B. ass'y. (マーク#の部品は、基板に含まれません)

P.C.B. MAIN

Ref. No.	PART NO.	Description	Remarks	Markets	部品名	Rank	
	SW613	V3800600 SW.RT.ENC	EC12E2420404			ロータリーエンコーダ	04
△ *	T401	XW085A00 TRANS.PWR		R		電源トランス	
△ *	T401	XW510A00 TRANS.PWR		J		電源トランス	08
△ *	T401	XW511A00 TRANS.PWR		BG		電源トランス	
△	TH401	VT865700 POSISTOR	PTH8L14AR0R5M1C030			ボジスタ	03
△	TH402	VT865700 POSISTOR	PTH8L14AR0R5M1C030			ボジスタ	03
*	U601	V8444900 L.DTCT	GP1UM271XK			リモコン受光ユニット	04
*	V601	V8833800 FL.DSPLY	15-BT-82GN			蛍光表示管	
	VR202	V3800700 VR	A5K			2連ロータリーVR	03
	XL1	VQ791000 RSNR.CE	10MHz			セラミック発振子	01
		V3747500 SUPRT				サポート/FL	01
		V3688300 SHEET.FL	SI		GD->VR519500	シート/FL	02
%		VR519500 SHEET.FL	GD			シート/FL	01
		V3747400 SPACER.FL	T4x6x18			スペーサ/FL	01
		EG330030 SCR.BND.HD	3x6 MFC2BL			バインド小ネジ	01
		RD353100 R.CAR.CHP	1 1/10W			チップ抵抗	01
		RD353220 R.CAR.CHP	2.2 1/10W			チップ抵抗	01
		RD354220 R.CAR.CHP	22 1/10W			チップ抵抗	01
		RD355100 R.CAR.CHP	100 1/10W			チップ抵抗	01
		RD355120 R.CAR.CHP	120 1/10W			チップ抵抗	01
		RD355220 R.CAR.CHP	220 1/10W			チップ抵抗	01
		RD355330 R.CAR.CHP	330 1/10W			チップ抵抗	01
		RD355470 R.CAR.CHP	470 1/10W			チップ抵抗	01
		RD355680 R.CAR.CHP	680 1/10W			チップ抵抗	01
		RD356100 R.CAR.CHP	1K 1/10W			チップ抵抗	01
		RD356120 R.CAR.CHP	1.2K 1/10W			チップ抵抗	01
		RD356180 R.CAR.CHP	1.8K 1/10W			チップ抵抗	01
		RD356220 R.CAR.CHP	2.2K 1/10W			チップ抵抗	01
		RD356270 R.CAR.CHP	2.7K 1/10W			チップ抵抗	01
		RD356330 R.CAR.CHP	3.3K 1/10W			チップ抵抗	01
		RD356390 R.CAR.CHP	3.9K 1/10W			チップ抵抗	01
		RD356470 R.CAR.CHP	4.7K 1/10W			チップ抵抗	01
		RD356820 R.CAR.CHP	8.2K 1/10W			チップ抵抗	01
		RD357100 R.CAR.CHP	10K 1/10W			チップ抵抗	01
		RD357120 R.CAR.CHP	12K 1/10W			チップ抵抗	01
		RD357150 R.CAR.CHP	15K 1/10W			チップ抵抗	01
		RD357220 R.CAR.CHP	22K 1/10W			チップ抵抗	01
		RD357270 R.CAR.CHP	27K 1/10W			チップ抵抗	01
		RD357470 R.CAR.CHP	47K 1/10W			チップ抵抗	01
		RD358100 R.CAR.CHP	100K 1/10W			チップ抵抗	01

% : Note on the Main PCB

Of the Main PCB part Nos., only the silver (SI) type part Nos. are included in the table. (G model)

The only different part between the gold (GD) and silver (SI) type parts is the sheet/FL that is attached to the fluorescent character display tube. When a GD type Main PCB becomes necessary, order a SI type Main PCB and a GD type sheet/FL (VR519500) and replace the sheet/FL of the SI type Main PCB with the GD type sheet/FL.

* New Parts (新規部品)

70 Note) Those parts marked with "#" are not included in the P.C.B. ass'y. (マーク#の部品は、基板に含まれません)

P.C.B. MD MAIN

Ref. No.	PART NO.	Description	Remarks	Markets	部品名	Rank
		P.C.B.	MD MAIN		P C B MDメイン	
C1100	AAX02530	C. CHP	4.7uF 10V		チップコンデンサ	
C1107	AAX02630	C. CHP	0.022uF 16V		チップコンデンサ	
C1110	AAX02780	C. CHP	1uF 16V		チップコンデンサ	
C1111	AAX02780	C. CHP	1uF 16V		チップコンデンサ	
* C1112	AAX17430	C. CHP	5pF 50V		チップコンデンサ	
C1113	AAX02750	C. CHP	1uF 6.3V		チップコンデンサ	
* C1114	AAX17460	C. CHP	0.1uF 16V		チップコンデンサ	
* C1115	AAX17460	C. CHP	0.1uF 16V		チップコンデンサ	
C1116	AAX02750	C. CHP	1uF 6.3V		チップコンデンサ	
C1117	AAX02780	C. CHP	1uF 16V		チップコンデンサ	
C1118	AAX02760	C. CHP	0.47uF 16V		チップコンデンサ	
C1119	AAX02760	C. CHP	0.47uF 16V		チップコンデンサ	
* C1121	AAX17530	C. CHP	0.22uF 16V		チップコンデンサ	
C1122	AAX02780	C. CHP	1uF 16V		チップコンデンサ	
* C1123	AAX17460	C. CHP	0.1uF 16V		チップコンデンサ	
* C1124	AAX17460	C. CHP	0.1uF 16V		チップコンデンサ	
C1125	AAX02780	C. CHP	1uF 16V		チップコンデンサ	
C1200	AAX02780	C. CHP	1uF 16V		チップコンデンサ	
C1201	AAX02520	C. CHP	10uF 10V		チップコンデンサ	
C1202	AAX02780	C. CHP	1uF 16V		チップコンデンサ	
C1203	AAX02780	C. CHP	1uF 16V		チップコンデンサ	
C1205	AAX02780	C. CHP	1uF 16V		チップコンデンサ	
C1206	AAX02670	C. CHP	0.1uF 25V		チップコンデンサ	
C1207	AAX02780	C. CHP	1uF 16V		チップコンデンサ	
C1208	AAX02550	C. CHP	12pF 50V		チップコンデンサ	
C1209	AAX02550	C. CHP	12pF 50V		チップコンデンサ	
C1210	AAX02560	C. CHP	22pF 50V		チップコンデンサ	
C1211	AAX02670	C. CHP	0.1uF 25V		チップコンデンサ	
C1230	AAX02780	C. CHP	1uF 16V		チップコンデンサ	
* C1261	AAX17440	C. CHP	220PpF 50V		チップコンデンサ	
* C1262	AAX17440	C. CHP	220PpF 50V		チップコンデンサ	
* C1263	AAX17440	C. CHP	220PpF 50V		チップコンデンサ	
* C1264	AAX17440	C. CHP	220PpF 50V		チップコンデンサ	
* C1265	AAX17440	C. CHP	220PpF 50V		チップコンデンサ	
C1266	AAX02560	C. CHP	22pF 50V		チップコンデンサ	
* C1300	AAX17450	C. CHP	47pF 50V		チップコンデンサ	
C1301	AAX02630	C. CHP	0.022uF 16V		チップコンデンサ	
* C1302	AAX17410	C. CHP	10uF 10V		チップコンデンサ	
C1303	AAX02780	C. CHP	1uF 16V		チップコンデンサ	
* C1304	AAX17440	C. CHP	220PpF 50V		チップコンデンサ	
C1403	AAX02830	C. CHP	0.01uF 50V		チップコンデンサ	
C1404	AAX02830	C. CHP	0.01uF 50V		チップコンデンサ	
C1405	AAX02700	C. CHP	680pF 50V		チップコンデンサ	
C1406	AAX02700	C. CHP	680pF 50V		チップコンデンサ	
C1407	AAX02670	C. CHP	0.1uF 25V		チップコンデンサ	
C1409	AAX02780	C. CHP	1uF 16V		チップコンデンサ	
C1501	AAX02780	C. CHP	1uF 16V		チップコンデンサ	
C1503	AAX02720	C. CHP	0.33uF 16V		チップコンデンサ	
C1505	AAX02670	C. CHP	0.1uF 25V		チップコンデンサ	
C1506	AAX02540	C. CHP	100pF 50V		チップコンデンサ	
C1507	AAX02670	C. CHP	0.1uF 25V		チップコンデンサ	
C1509	AAX02540	C. CHP	100pF 50V		チップコンデンサ	

* New Parts (新規部品)

Note) Those parts marked with “#” are not included in the P.C.B. ass'y. (マーク#の部品は、基板に含まれません)

P.C.B. MD MAIN

Ref. No.	PART NO.	Description	Remarks	Markets	部品名	Rank	
C1602	US062470	C.CHP	470pF	50V		チップセラコン	01
C1603	AAX02700	C.CHP	680pF	50V		チップコンデンサ	
C1606	AAX02520	C.CHP	10uF	10V		チップコンデンサ	
C1607	AAX02780	C.CHP	1uF	16V		チップコンデンサ	
C1610	AAX02530	C.CHP	4.7uF	10V		チップコンデンサ	
C1611	US063470	C.CE.CHP	4700pF	50V		チップセラコン	01
C1613	AAX02830	C.CHP	0.01uF	50V		チップコンデンサ	
C1616	UF128100	C.EL.CHP	100uF	10V		チップケミコン	01
C1619	AAX02590	C.CHP	330pF	50V		チップコンデンサ	
C1655	AAX02830	C.CHP	0.01uF	50V		チップコンデンサ	
C1700	AAX02510	C.EL.CHP	47uF	4V		チップケミコン	
C1701	AAX02510	C.EL.CHP	47uF	4V		チップケミコン	
* C1702	AAX17490	C.CHP	1000pF	50V		チップコンデンサ	
C1703	AAX02670	C.CHP	0.1uF	25V		チップコンデンサ	
C1704	AAX02510	C.EL.CHP	47uF	4V		チップケミコン	
C1705	AAX02670	C.CHP	0.1uF	25V		チップコンデンサ	
C1706	AAX02830	C.CHP	0.01uF	50V		チップコンデンサ	
C1707	AAX02780	C.CHP	1uF	16V		チップコンデンサ	
C1708	AAX02830	C.CHP	0.01uF	50V		チップコンデンサ	
C1709	AAX02830	C.CHP	0.01uF	50V		チップコンデンサ	
C1710	AAX02480	C.EL.CHP	10uF	16V		チップケミコン	
C1711	AAX02510	C.EL.CHP	47uF	4V		チップケミコン	
C1712	AAX02480	C.EL.CHP	10uF	16V		チップケミコン	
C1713	AAX02830	C.CHP	0.01uF	50V		チップコンデンサ	
C1714	AAX02780	C.CHP	1uF	16V		チップコンデンサ	
* C1715	AAX17520	C.CHP	0.1uF	16V		チップコンデンサ	
C1716	AAX02510	C.EL.CHP	47uF	4V		チップケミコン	
C1741	AAX02700	C.CHP	680pF	50V		チップコンデンサ	
C1750	AAX02700	C.CHP	680pF	50V		チップコンデンサ	
C1800	AAX02500	C.EL.CHP	220uF	4V		チップケミコン	
C1801	AAX02520	C.CHP	10uF	10V		チップコンデンサ	
C1802	AAX02520	C.CHP	10uF	10V		チップコンデンサ	
C1803	UF128100	C.EL.CHP	100uF	10V		チップケミコン	01
C1804	AAX02740	C.CHP	2.2uF	16V		チップコンデンサ	
C1805	AAX02780	C.CHP	1uF	16V		チップコンデンサ	
C1806	AAX02780	C.CHP	1uF	16V		チップコンデンサ	
* CN1300	AAX17630	CN.PLUG	2P			プラグ	
CN1401	AAX01390	CN.PLUG	5P			プラグ	
* CN1402	AAX17640	CN.PLUG	6P			プラグ	
* D1300	AAX17400	DIODE	SBE803			ダイオード	
D1401	AAX02460	DIODE	SB00703Q			ダイオード	03
* D1402	AAX17390	DIODE	1SS355			ダイオード	
* IC1101	AAX17300	IC	IR3R58M			IC	
* IC1201	AAX34610	IC	LR37816A			IC	
IC1202	AAX02150	IC	IX2474AF			IC	23
IC1300	AAX17270	IC	74ACT02T			IC	05
IC1301	AAX17290	IC	FTD2005			IC	05
IC1302	AAX17280	IC	CPH5608			IC	09
* IC1401	AAX34600	IC	IX0410AW			IC	
IC1402	AAX17260	IC	58X2402T			IC	06
* IC1601	AAX17320	IC	M56788FP			IC	
* IC1701	AAX34620	IC	UDA1345TS			IC	
IC1702	AAX02190	IC	NJM431U			IC	06

* New Parts (新規部品)

P.C.B. MD MAIN

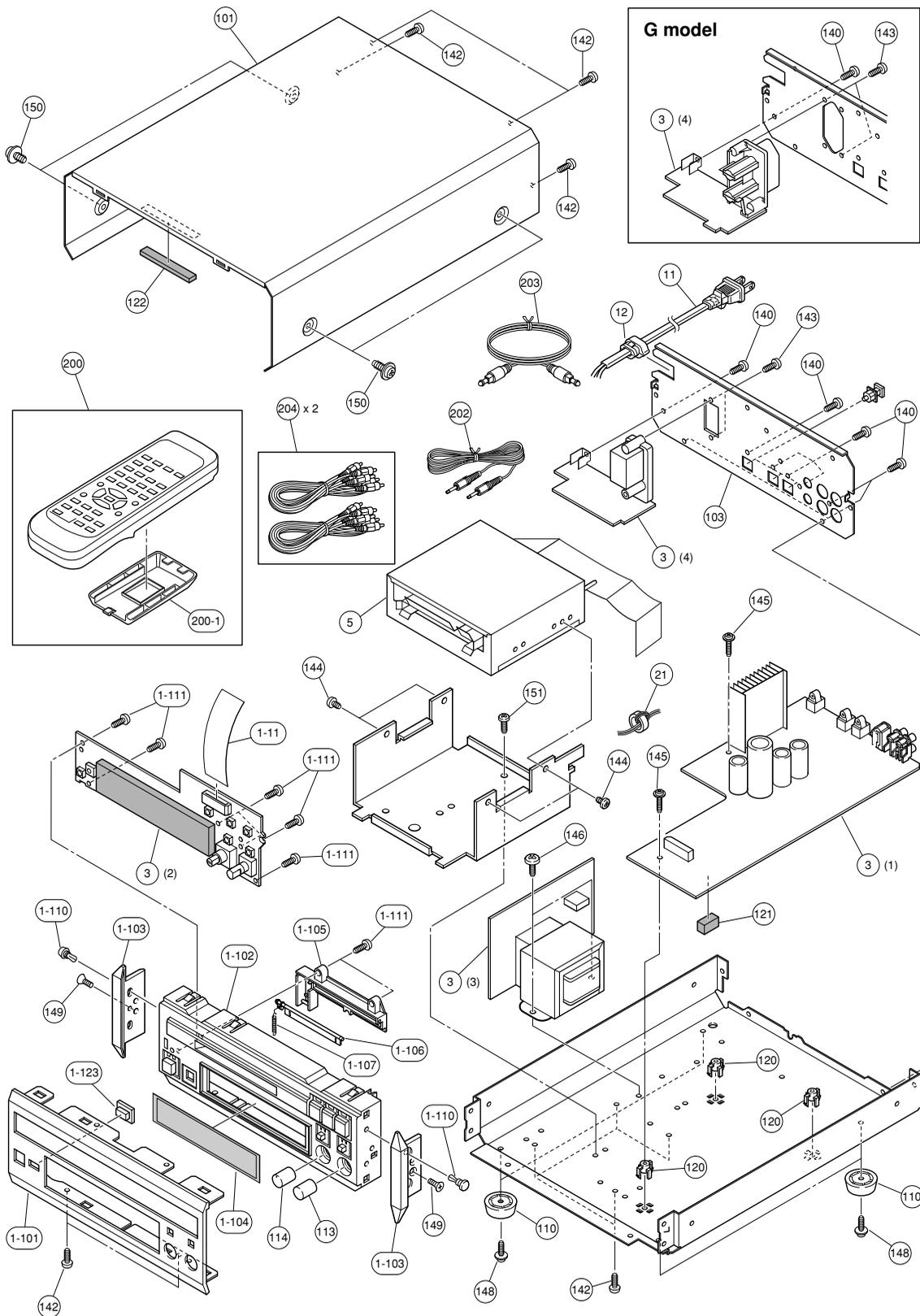
Ref. No.	PART NO.	Description	Remarks	Markets	部品名	Rank
IC1801	AAX02220	IC	XC62EP32		I C	06
* IC1802	AAX17340	IC	XC62FP26		I C	
L1100	AAX02230	IC	0.47uH		コイル	04
L1101	AAX02330	COIL	10uH		コイル	04
L1200	AAX02340	COIL	4.7uH		コイル	04
L1201	AAX02230	IC	0.47uH		コイル	04
* L1300	AAX17350	COIL	4.7uH		コイル	
L1501	AAX02320	COIL	1uH		コイル	05
L1502	AAX02340	COIL	4.7uH		コイル	04
L1600	AAX02320	COIL	1uH		コイル	05
L1701	AAX02330	COIL	10uH		コイル	04
L1702	AAX02330	COIL	10uH		コイル	04
* Q1402	AAX17560	TR	UN2113		トランジスタ	
* Q1403	AAX17570	TR	UN2213		トランジスタ	
* Q1501	AAX17580	TR	UN2214		トランジスタ	
* Q1700	AAX17550	TR	2SD601 AR		トランジスタ	
* Q1701	AAX17570	TR	UN2213		トランジスタ	
Q1702	AAX02840	TR	2SA1162G		トランジスタ	03
* Q1800	AAX17580	TR	UN2214		トランジスタ	
Q1801	AAX02840	TR	2SA1162G		トランジスタ	03
* Q1802	AAX17580	TR	UN2214		トランジスタ	
* Q1803	AAX17590	TR	UN221 N		トランジスタ	
* Q1804	AAX17540	TR	2SA1242 Y		トランジスタ	
Q1805	AAX02850	TR	2SA1314C		トランジスタ	05
* Q1806	AAX17590	TR	UN221 N		トランジスタ	
XL1201	AAX01660	RSNR.CRYS			水晶振動子	09
		P.C.B.	SWITCH & LOADING		スイッチ & ローディング	
CN1931	AAX01390	CN.PLUG	5P		プラグ	
* CN1932	AAX17640	CN.PLUG	6P		プラグ	
* SW1930	AAX17370	SW	PUSH TYPE		スイッチ	
* SW1931	AAX17380	SW	PUSH TYPE		スイッチ	
* SW1932	AAX17360	SW	PUSH TYPE		スイッチ	
* SW1933	AAX17360	SW	PUSH TYPE		スイッチ	
* SW1934	AAX17360	SW	PUSH TYPE		スイッチ	
SW1936	AAX02400	SW	SLIDE TYPE		スイッチ	05

* New Parts (新規部品)

Note) Those parts marked with “#” are not included in the P.C.B. ass'y. (マーク#の部品は、基板に含まれません)

MDX-E300

■ EXPLODED VIEW



% : Note on the Main PCB

Of the Main PCB part Nos., only the silver (SI) type part Nos. are included in the table. (G model)

The only different part between the gold (GD) and silver (SI) type parts is the sheet/FL that is attached to the fluorescent character display tube. When a GD type Main PCB becomes necessary, order a SI type Main PCB and a GD type sheet/FL (VR519500) and replace the sheet/FL of the SI type Main PCB with the GD type sheet/FL.

MECHANICAL PARTS

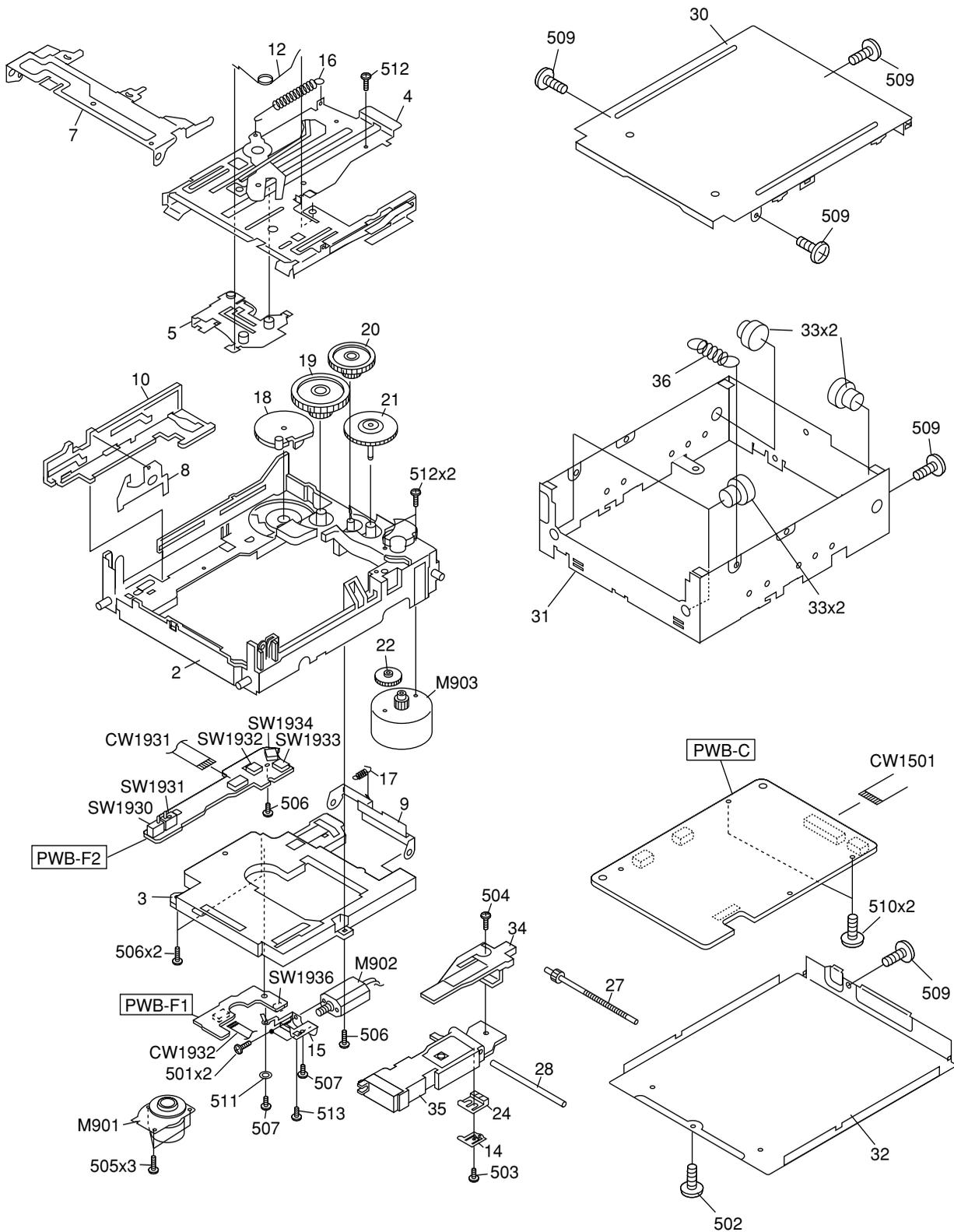
Ref. No.	PART NO.	Description	Remarks	Markets	部品名	Rank	
	1-11 MF117100	FLEXIBLE FLAT CABLE	17P 100mm		カード電線 C & C	01	
*	1-101 V8779500	FRONT PANEL		SI	フロントパネル		
*	1-101 V8779600	FRONT PANEL		GD	フロントパネル		
*	1-102 V8779300	SUB PANEL-MDX		SI	サブパネル - MDX		
*	1-102 V8779400	SUB PANEL-MDX		GD	サブパネル - MDX		
*	1-103 V8779200	PANEL/SIDE-H80	H80		パネル/サイド		
*	1-104 V8786500	SHEET			シート/ウィンドウ		
	1-105 V4005800	GRILL, LID		SI	グリル/リッド	02	
	1-105 V4006200	GRILL, LID		GD	グリル/リッド	02	
	1-106 V4006300	LID, MD		SI	リッド/MD	02	
	1-106 V3153600	LID, MD		GD	リッド/MD	02	
	1-107 V3082300	SPRING			スプリング	01	
	1-110 VQ368600	PUSH RIVET	P3555-B		プッシュリベット	01	
	1-111 VF617600	PAN HEAD P-TITE SCREW	2.6x8 MFC2BL		鉄ナベPタイトネジ	01	
*	1-123 V8785300	LENS/REMOCON			レンズ/リモコン		
*	3 V9082900	P.C.B. ASS'Y	MAIN	SI	P C B 集成メイン		
*	3 V9083000	P.C.B. ASS'Y	MAIN	GD	P C B 集成メイン		
*	3 V9083100	P.C.B. ASS'Y	MAIN	SI	P C B 集成メイン		
*	3 V9133100	P.C.B. ASS'Y	MAIN	SI	P C B 集成メイン		
*	5 V8911400	MD RECORDER UNIT	MDM-08A		MDレコーダーユニット		
△	11 V2723100	POWER CABLE	1.8m		電源コード	07	
△	11 VZ542500	POWER CABLE	2m		電源コード	05	
△	11 VV437300	POWER CABLE	2m		電源コード	08	
△	11 VN363700	POWER CABLE	2m		電源コード	04	
	12 V2438700	CORD STOPPER	10P1		コードストッパー	02	
*	21 V6661200	FERRITE CORE	F5T22X8.0X14.0		フェライトコア		
	101 V3681800	TOP COVER		SI	トップカバー	08	
	101 V3809300	TOP COVER		GD	トップカバー	08	
*	103 V8779800	REAR PANEL			リヤパネル		
*	103 V8779900	REAR PANEL			リヤパネル		
*	103 V8780000	REAR PANEL			リヤパネル		
*	103 V8780100	REAR PANEL			リヤパネル		
	110 V3688500	LEG	M0080-M0		レッグ	01	
*	113 V8785900	KNOB, D10		SI	ノブ/D10		
*	113 V8786000	KNOB, D10		GD	ノブ/D10		
*	114 V8786100	KNOB/D10-P		SI	ノブ/D10 - P		
*	114 V8786200	KNOB/D10-P		GD	ノブ/D10 - P		
	120 VR264400	SPACER	H8		スペーサー	01	
	121 VQ390100	DAMPER	8x8x15		ダンパー	01	
	122 VP857700	DAMPER	4x6x5		ダンパー	01	
	140 VN413300	BIND HEAD BONDING B-T. SCREW	3x8 MFZN2BL		ボンディングBタイトネジ	01	
	142 EP600830	BIND HEAD B-TITE SCREW	3x8 MFC2BL		バインドBタイトネジ	01	
	143 EP600250	BIND HEAD B-TITE SCREW	3x8 MFZN2Y		バインドBタイトネジ	01	
	144 V2500400	BIND HEAD SCREW	3x3 MFZN2BL		バインド小ネジ		
	145 VT669400	PW HEAD B-TITE SCREW	3x15-8 MFC2		PWヘッドBタイトネジ	01	
	146 V2728500	BIND HEAD S-TITE SCREW	4x7 MFZN2BL		バインドSタイトネジ	01	
	148 EL300650	PW HEAD B-TITE SCREW	3x8-8 MFC2BL		PWヘッドBタイトネジ	01	
	149 EP600790	FLAT HEAD B-TITE SCREW	3x8 MFZN2BL		皿Bタイトネジ	01	
	150 VY712800	PW HEAD B-TITE SCREW	3x8-8 MFN133		PWヘッドBタイトネジ	01	
	151 EP630210	BIND HEAD S-TITE SCREW	3x6 MFZN2BL		バインドSタイトネジ	01	
%	VR519500	SHEET, FL	GD		シート/FL	01	
		ACCESSORIES			付属品		
*	200 V8913700	REMOTE CONTROL	RRS4800-0853L	RRS4800-0853L	J	リモコン	
*	200 V8913800	REMOTE CONTROL	RRS4800-0854L	RRS4800-0854L	RBG	リモコン	
	200-1 AAX07830	BATTERY COVER		103RRS09301R		電池蓋	
	202 V4135300	SYSTEM CONTROL CABLE	1P 1m		システム接続ケーブル	05	
	203 V6326400	OPTICAL CABLE	1P 0.6m 1pc		光ケーブル	05	
	204 VY952200	AUDIO PIN CABLE	2P 1m		ステレオピンケーブル	04	
		BATTERY	AA, R06, UM-3		単3乾電池		

* New Parts (新規部品)

Note) Those parts marked with “#” are not included in the P.C.B. ass'y. (マーク#の部品は、基板に含まれません)

MDX-E300

EXPLODED VIEW (MD Recorder Unit)



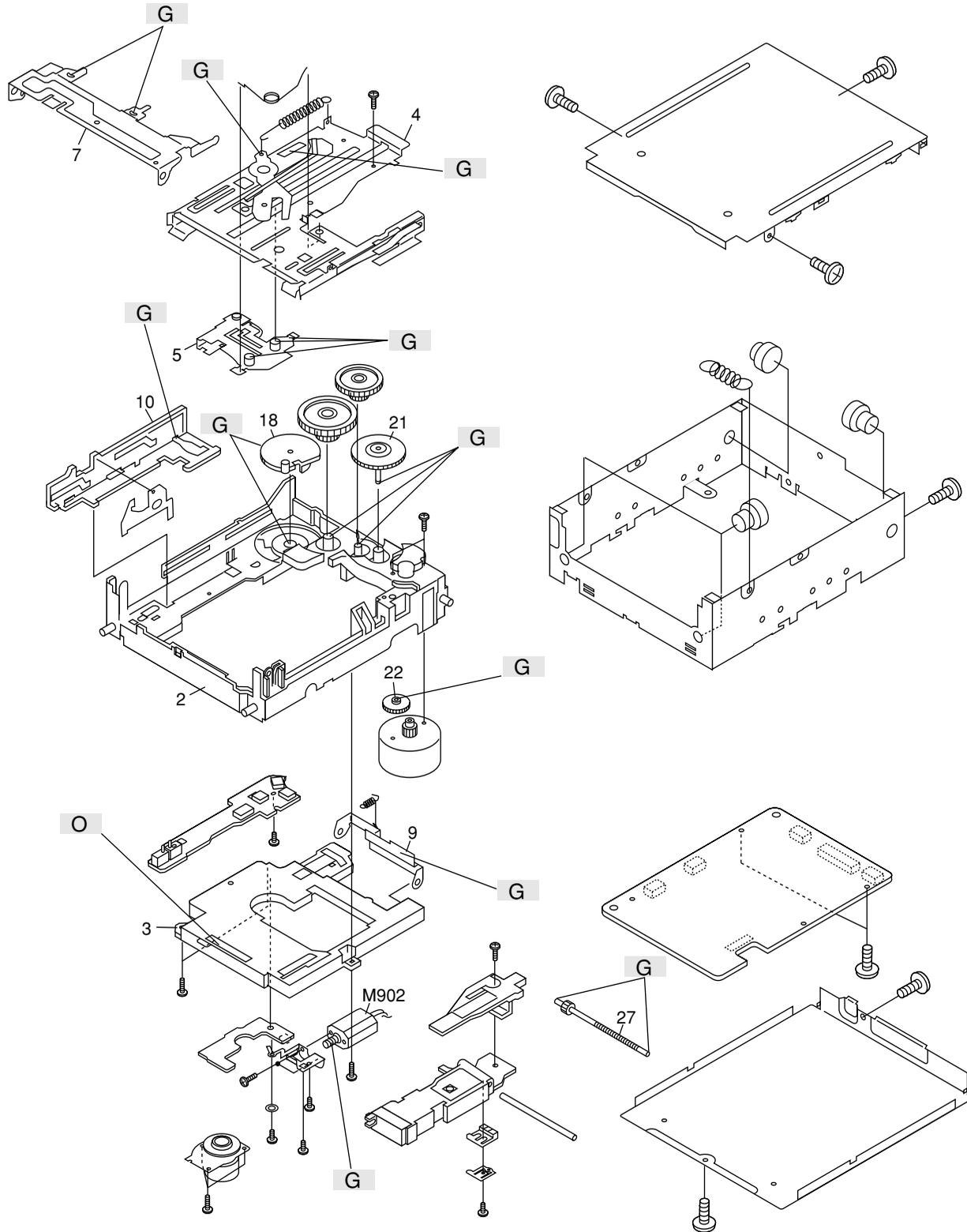
MECHANICAL PARTS (MD Recorder Unit)

Ref. No.	PART NO.	Description	Remarks	Markets	部品名	Rank
*	V8911400	MD RECORDER UNIT	MDM-08A		MDレコーダーユニット	
* 2	AAx16830	LD BASE		LCHSM0089AWZZ	LDベース	
* 3	AAx16840	MD BASE		LCHSM0090AWZZ	MDベース	
* 4	AAx34560	CARTRIDGE HOLDER ASS'Y		LHLDX3009AWM1	カートリッジホルダー組品	
* 5	AAx16980	SLIDER LEVER ASS'Y		MLEVF0051AWM1	スライダレバー組品	
* 7	AAx17100	HOLDER ARM		MLEVF0046AWFW	ホルダアーム	
* 8	AAx16960	SWITCH PLATE		MLEVF0047AWFW	スイッチプレート	
* 9	AAx34550	H/A SHIFT ARM		MLEVF0054AWFW	H/Aシフトアーム	
* 10	AAx16870	CAM PLATE LEVER		MLEVP0095AWZZ	カムプレートレバー	
* 12	AAx17150	SPRING, ROADING		MSPRD0132AWFJ	ローディングばね	
* 14	AAx16890	SPRING, GRIP		MSPRP0030AWFJ	グリップばね	
* 15	AAx16950	SPRING, SHAFT		MSPRP0031AWFJ	シャフトばね	
* 16	AAx17160	SPRING, ROADING ARM		MSPRT0031AWFJ	ローディングアームばね	
* 17	AAx16940	SPRING, SHIFT ARM		MSPRT0032AWFJ	シフトアームばね	
* 18	AAx34580	GEAR, LOADING(A)	A	NGERH0147AWZZ	ローディングギヤー (A)	
* 19	AAx17110	MIDDLE GEAR (A)	A	NGERH0086AWZZ	ミドルギヤー (A)	
* 20	AAx17120	MIDDLE GEAR (B)	B	NGERH0087AWZZ	ミドルギヤー (B)	
* 21	AAx17130	MIDDLE GEAR (C)	C	NGERH0088AWZZ	ミドルギヤー (C)	
* 22	AAx17140	MIDDLE GEAR (D)	D	NGERH0089AWZZ	ミドルギヤー (D)	
* 24	AAx16900	GRIP RACK		NGERR0004AWZZ	グリップラック	
* 27	AAx17000	DRIVE SCREW ASS'Y		NSFTD0006AWM1	ドライブスクリュー組品	
* 28	AAx17090	PICK GUIDE SHAFT		NSFTM0019AWFW	ピックガイドシャフト	
* 30	AAx16920	SEALED COVER (TOP)		PCOV3029AWFW	シールドカバー (トップ)	
* 31	AAx16910	SEALED COVER (SIDE)		PCOV3033AWFW	シールドカバー (サイド)	
* 32	AAx16930	SEALED COVER (BOTTOM)		PCOV3031AWFW	シールドカバー (ボトム)	
* 33	AAx16880	CUSSION		PCUSG0045AWZZ	クッション	
34	AAx17210	MAGNETIC HEAD		RC1LH0113AFZZ	磁気ヘッド	05
35	AAx17200	OPTICAL PICKUP		RCTR8198AFZZ	光ピックアップ	16
* 36	AAx16850	SPRING, GROUNDING		MSPRT0034AWFJ	アースばね	
* 501	AAx17010	SCREW	M1.4x1.5	LXBZ0040AWZZ	ネジ	
* 502	AAx17020	SCREW	M2.0x2	LXBZ0046AWZZ	ネジ	
* 503	AAx17030	SCREW	M1.4x2	LXBZ0800AFZZ	ネジ	
504	AAx01280	SCREW	M1.7x5	LXBZ0883AFZZ	ネジ	03
* 505	AAx17040	SCREW	M1.4x3	LXJZ0020AWZZ	ネジ	
* 506	AAx17050	SCREW	M1.7x6	LXJZ0022AWZZ	ネジ	
* 507	AAx17060	SCREW	M1.4x4	LXJZ0024AWZZ	ネジ	
* 509	AAx17080	SCREW	M2.0x3	XBPSD20P03K00	ネジ	
510	AAx01300	SCREW	M1.7x3	XSPSN17P03K00	ネジ	03
* 511	AAx17190	WASHER	1.4x0.5	XWSSD1405000	ワッシャ	
512	AAx03010	SCREW	M1.7x3	LXBZ0946AFZZ	ネジ	03
* 513	AAx17070	SCREW	M1.4x5	LXJZ0025AWZZ	ネジ	
* CW1501	AAx17620	FLAT CABLE	28P	QCNNW1549AWZZ	フラットケーブル	
* CW1931	AAx17600	FLAT CABLE	5P	QCNNW1512AWZZ	フラットケーブル	
* CW1932	AAx17610	FLAT CABLE	6P	QCNNW1513AWZZ	フラットケーブル	
* M901	AAx34570	SPINDLE MOTOR		RMOTV0038AWZZ	スピンドルモータ組品	
* M902	AAx16990	SLED MOTOR ASS'Y	SLED	92LMTR3167BASY	スレッドモータ組品	
* M903	AAx17180	LOADING MOTOR ASS'Y	LOADING	92LMTR3167AASY	ローディングモータ組品	

* New Parts (新規部品)

MDX-E300

GREASE APPLICATION DIAGRAM



Grease

G : Molykote PG-662

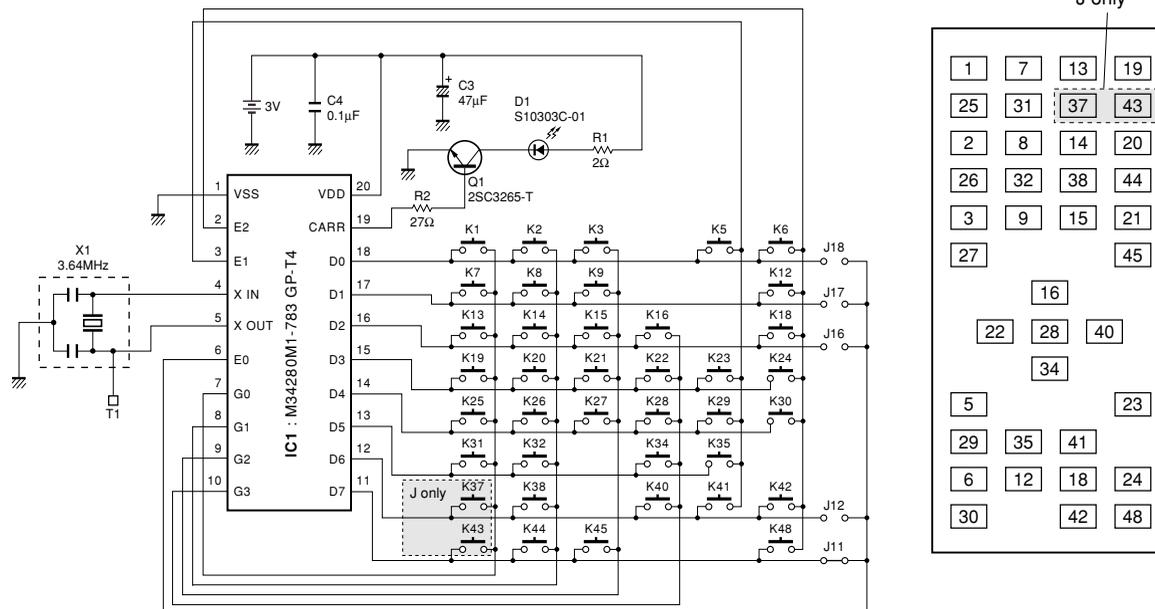
O : HYDRO-FLUTE EP-68

1

REMOTE CONTROL TRANSMITTER

■ SCHEMATIC DIAGRAM

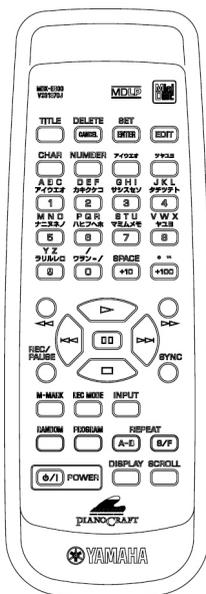
2



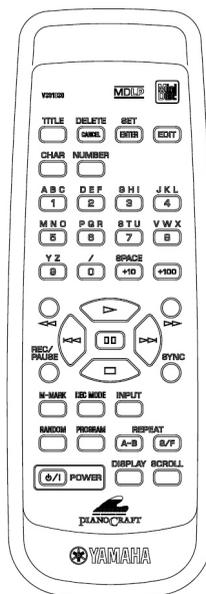
3

4

▼ J model



▼ R, G, B model



5

Key No.	Function	Custom (Hex)		
		Cus	Cus'	Data
1	TITLE	79	86	A0
7	DELETE	79	86	A4
13	SET	79	86	A3
19	EDIT	79	86	B6
25	CHARACTER	79	86	A1
31	NUMBER	79	86	A2
37	アイウエオ	79	86	9D
43	ツヤユヨ	79	86	9E
2	1 (ABC, アイウエオ)	79	86	B7
8	2 (DEF, カクケコ)	79	86	B8
14	3 (GHI, サシスセソ)	79	86	B9
20	4 (JKL, タチツテト)	79	86	BA
26	5 (MNO, ナニヌネノ)	79	86	BB
32	8 (PQR, ハヒフヘホ)	79	86	BC
38	7 (STU, マミムメモ)	79	86	BD
44	8 (VXW, ヤユヨ)	79	86	BE
3	9 (YZ, ラリルレロ)	79	86	BF
9	0 (/ ワオン - /)	79	86	C0
15	+10 (SPACE)	79	86	8F
21	+100 . . .	79	86	9F
27	SEARCH -	79	86	AC
45	SEARCH +	79	86	AD
16	PLAY	79	86	A8
22	SKIP -	79	86	AB
28	PAUSE	79	86	A9
40	SKIP +	79	86	AE
34	STOP	79	86	AA
5	REC/PAUSE	79	86	B1
23	SYNCHRO REC	79	86	B2
29	M - MARK	79	86	B3
35	REC MODE	79	86	B4
41	INPUT SEL	79	86	A7
6	RANDOM	79	86	83
12	PROGRAM	79	86	84
18	REPEAT A - B	79	86	82
24	REPEAT S/F	79	86	81
30	POWER	79	86	B5
42	DISPLAY	79	86	A5
48	SCROLL	79	86	A6

J only
J only

6

7

Parts List for Carbon Resistors

Value	1/4W Type Part No.	1/6W Type Part No.	Value	1/4W Type Part No.	1/6W Type Part No.
1.0 Ω	HJ35 3100	HF85 3100	10 kΩ	HF45 7100	HF45 7100
1.8 Ω	HJ35 3180	*	11 kΩ	HF45 7110	HF45 7110
2.2 Ω	HJ35 3220	HF85 3220	12 kΩ	HJ35 7120	HF85 7120
3.3 Ω	HJ35 3330	HF85 3330	13 kΩ	HF45 7130	HF45 7130
4.7 Ω	HJ35 3470	HF85 3470	15 kΩ	HF45 7150	HF45 7150
5.6 Ω	HJ35 3560	HF85 3560	18 kΩ	HF45 7180	HF45 7180
10 Ω	HF45 4100	HF45 4100	22 kΩ	HF45 7220	HF45 7220
15 Ω	HJ35 4150	HF85 4150	24 kΩ	HF45 7240	HF45 7240
22 Ω	HF45 4220	HF45 4220	27 kΩ	HJ35 7270	HF85 7270
27 Ω	HJ35 4270	HF85 4270	30 kΩ	HF45 7300	HF45 7300
33 Ω	HF45 4330	HF45 4330	33 kΩ	HF45 7330	HF45 7330
39 Ω	HJ35 4470	HF85 4390	36 kΩ	HF45 7360	HF45 7360
47 Ω	HF45 4470	HF45 4470	39 kΩ	HF45 7390	HF45 7390
56 Ω	HF45 4560	HF45 4560	47 kΩ	HF45 7470	HF45 7470
68 Ω	HF45 4680	HF45 4680	51 kΩ	HF45 7510	HF45 7510
75 Ω	HF45 4750	HF45 4750	56 kΩ	HF45 7560	HF45 7560
82 Ω	HF45 4820	HF45 4820	62 kΩ	HF45 7620	HF45 7620
91 Ω	HF45 4910	HF45 4910	68 kΩ	HF45 7680	HF45 7680
100 Ω	HF45 5100	HF45 5100	82 kΩ	HF45 7820	HF45 7820
110 Ω	HJ35 5110	HF85 5110	91 kΩ	HF45 7910	HF45 7910
120 Ω	HF45 5120	HF45 5120	100 kΩ	HF45 8100	HF45 8100
150 Ω	HF45 5150	HF45 5150	110 kΩ	HF45 8110	HF45 8110
160 Ω	HJ35 5160	*	120 kΩ	HF45 8120	HF45 8120
180 Ω	HF45 5180	HF45 5180	150 kΩ	HF45 8150	HF45 8150
200 Ω	HF45 5200	HF45 5200	180 kΩ	HF45 8180	HF45 8180
220 Ω	HF45 5220	HF45 5220	220 kΩ	HJ35 8220	HF85 8220
270 Ω	HF45 5270	HF45 5270	270 kΩ	HF45 8270	HF45 8270
330 Ω	HF45 5330	HF45 5330	300 kΩ	HF45 8300	HF45 8300
390 Ω	HF45 5390	HF45 5390	330 kΩ	HF45 8330	HF45 8330
430 Ω	HF45 5430	HF45 5430	390 kΩ	HJ35 8390	HF85 8390
470 Ω	HF45 5470	HF45 5470	470 kΩ	HF45 8470	HF45 8470
510 Ω	HF45 5510	HF45 5510	560 kΩ	HJ35 8560	HF85 8560
560 Ω	HF45 5560	HF45 5560	680 kΩ	HJ35 8680	HF85 8680
680 Ω	HF45 5680	HF45 5680	820 kΩ	HJ35 8820	HF85 8820
820 Ω	HF45 5820	HF45 5820	1.0 MΩ	HF45 9100	HF45 9100
910 Ω	HF45 5910	HF45 5910	1.2 MΩ	HJ35 9120	*
1.0 kΩ	HF45 6100	HF45 6100	1.5 MΩ	HJ35 9150	HF85 9150
1.2 kΩ	HF45 6120	HF45 6120	1.8 MΩ	HJ35 9180	HF85 9180
1.5 kΩ	HF45 6150	HF45 6150	2.2 MΩ	HJ35 9220	HF85 9220
1.8 kΩ	HF45 6180	HF45 6180	3.3 MΩ	HJ35 9330	HF85 9330
2.0 kΩ	HJ35 6200	HF85 6200	3.9 MΩ	HJ35 9390	*
2.2 kΩ	HF45 6220	HF45 6220	4.7 MΩ	HJ35 9470	HF85 9470
2.4 kΩ	HJ35 6240	HF85 6240			
2.7 kΩ	HF45 6270	HF45 6270			
3.0 kΩ	HF45 6300	HF45 6300			
3.3 kΩ	HF45 6330	HF45 6330			
3.6 kΩ	HJ35 6360	HF85 6360			
3.9 kΩ	HF45 6390	HF45 6390			
4.7 kΩ	HF45 6470	HF45 6470			
5.1 kΩ	HF45 6510	HF45 6510			
5.6 kΩ	HF45 6560	HF45 6560			
6.8 kΩ	HF45 6680	HF45 6680			
8.2 kΩ	HF45 6820	HF45 6820			
9.1 kΩ	HF45 6910	HF45 6910			

1/4W Type

1/4W Type

HF45 ○○○○

1/6W Type

HF85 ○○○○